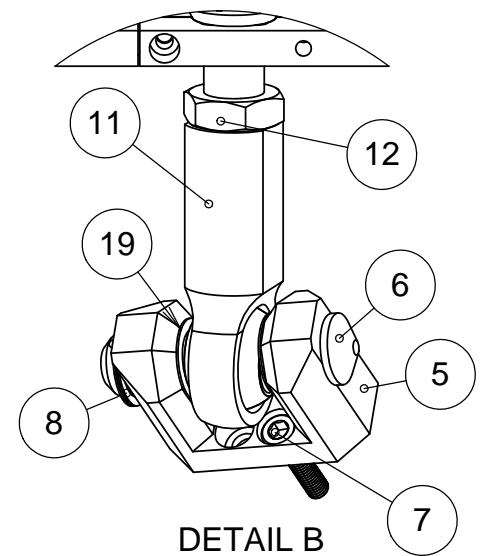
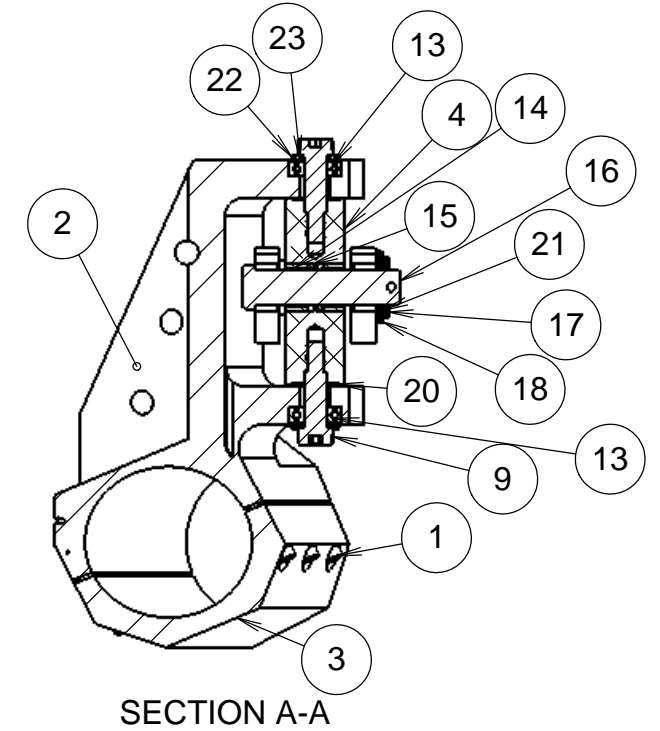
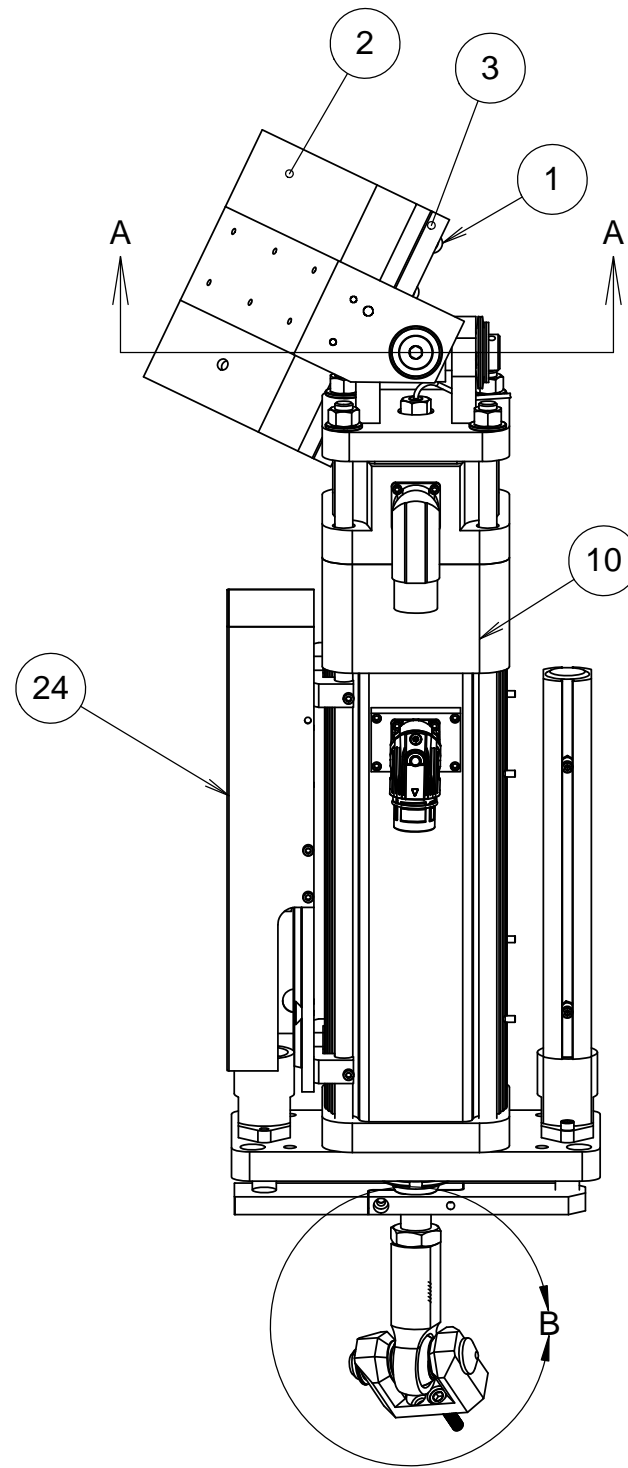


ITEM NO.	PartNo	DESCRIPTION	QTY.
1	MC_SHCS_M6X35_91290A202	SHCS M6X35 BLACK OXIDE	10
2	872-LM1203	SWING ARM ATTACHMENT A	1
3	872-LM1204	LOWER SWING ARM ATTACHMENT CLAMP	1
4	872-LM1202	U-JOINT CROSS	1
5	872-LM1201	LINEAR ACTUATOR PIVOT BASE	1
6	872-LM1205	MODIFIED CLEVIS PIN	1
7	MC 93705A846	SHCS M6x25MM	2
8	mc_93574A865_shim_.687id_.5mm thick	SHIM, .687 ID, .5MM THICK	3
9	MC 92981A405 SHOULDER SCREW 12MM SHOULDER	SOCKET HEAD SHOULDER SCREW 12MM	2
10	EXLAR GSX40-0601-ICA-GA1-1B8-04-RB-AX-L3-LT-64359	LINEAR ACTUATOR, EXLAR	1
11	MC 2988K371	ROD END	1
12	MC 91938A135	NUT, THIN, M16X1.5	1
13	MC 6661K840 BALL BEARING	BALL BEARING, 12MM ID	2
14	mc_87235K11_polyurethane_sleeve	POLURETHANE SLEEVE, .8 INCH	2
15	mc 2418T142_o-ring_1inch OD	O-RING 1 INCH OD	2
16	MC_92401A287_316 STAINLESS STEEL CLEVIS PIN_.75diameter	STAINLESS STEEL CLEVIS PIN .75 INCH DIAM.	1
17	MC_96853A128 shim_washer_.77id_1.25od	SHIM, .77 INCH ID, 1.25 INCH OD	3
18	MC_9713K860_STAINLESS STEEL BELLEVILLE DISC SPRING	STAINLESS STEEL BELLEVILLE DISC SPRING	2
19	MC_98089A352_shim_16mmshaft_.5mmthick	Shim, 16mmshaft, .5mm thick	3
20	MC_1262N120_thrust_washer_12mm	THRUST WASHER, 12mm	2
21	MC_9714K590_WAVE DISC SPRING	WAVE DISC SPRING	2
22	MC_9712K770_HIGH-CARBON STEEL BELLEVILLE DISC SPRING	HIGH-CARBON STEEL BELLEVILLE DISC SPRING	2
23	MC_90214A428_SHIM_12MM ID_.5MMTHK	SHIM_12MM ID_.5MMTHK	6
24	872-LM1319	Actuator Absolute Encoder Assembly	1

REVISIONS				
REV	DATE	DRWN	CHCK'D	DESCRIPTION
A	14JUL16	CR	--	INITIAL RELEASE
B	19NOV18	CR		MODIFIED BOM AND NOTES



NOTES

1. APPLY LOCTITE TO ALL THREADED FASTENERS UPON FINAL ASSEMBLY
2. PROPERLY TORQUE ALL FASTENERS
3. USE APPROPRIATE COTTER PIN FOR ITEM 6, NONE SHOWN IN ASSEMBLY DRAWING
4. MAINTAIN ORDER OF THRUST WASHERS AND SPACERS THAT MOUNT ON ITEM 6, REFER TO 872-LTN1041 Exlar Higher Current Tech Note, FOR SHIM AND SPACER CONFIGURATION

UNLESS OTHERWISE NOTED DIMENSIONS ARE IN INCHES & TOLERANCES ARE AS FOLLOWS

X.X: ±0.1000" X.XX: ±0.0100"
X.XXX: ±0.0050" X.XXXX: ±0.0001"
ANGLES: ±0.5° FINISH: 125 MICRO INCHES
BREAK ALL SHARP EDGES & CORNERS .002" MAX

MATERIAL FINISH
PARTS LIST



DRAWN	CRATLIFF	7/13/16	KECK 1 DEPLOYABLE TERTIARY MIRROR
CHECKED	--	--	STOW AND DEPLOY SYSTEM
DESIGNED	RATLIFF	--	TITLE
ENGINEER	RATLIFF	--	ACTUATOR AND ATTACHMENTS A
SW DOCUMENT FILE	PROJECT CODE		DWG NO
	K1DM3		872-LM1200
	NEXT ASSY		B
	872-LM-0000		1/1