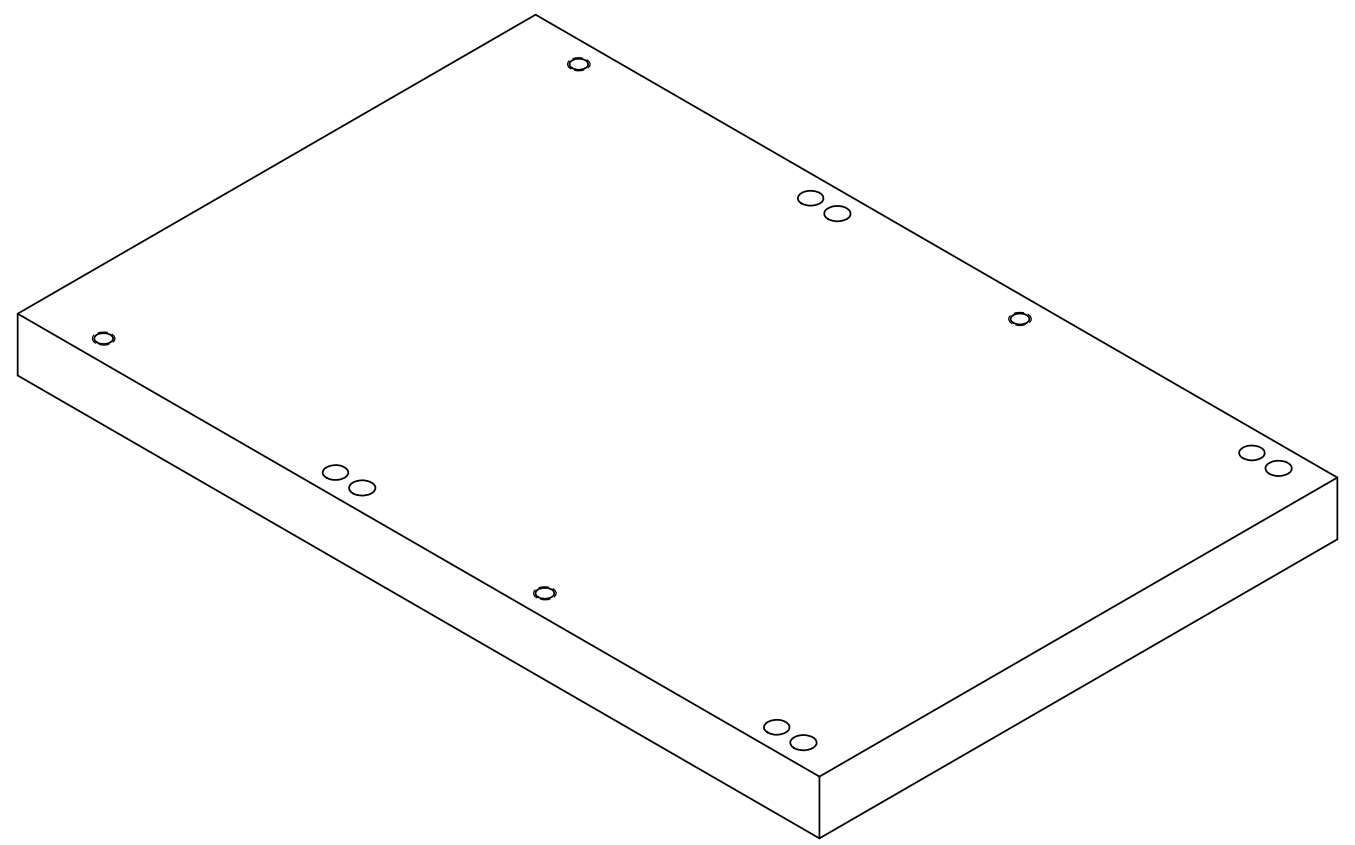
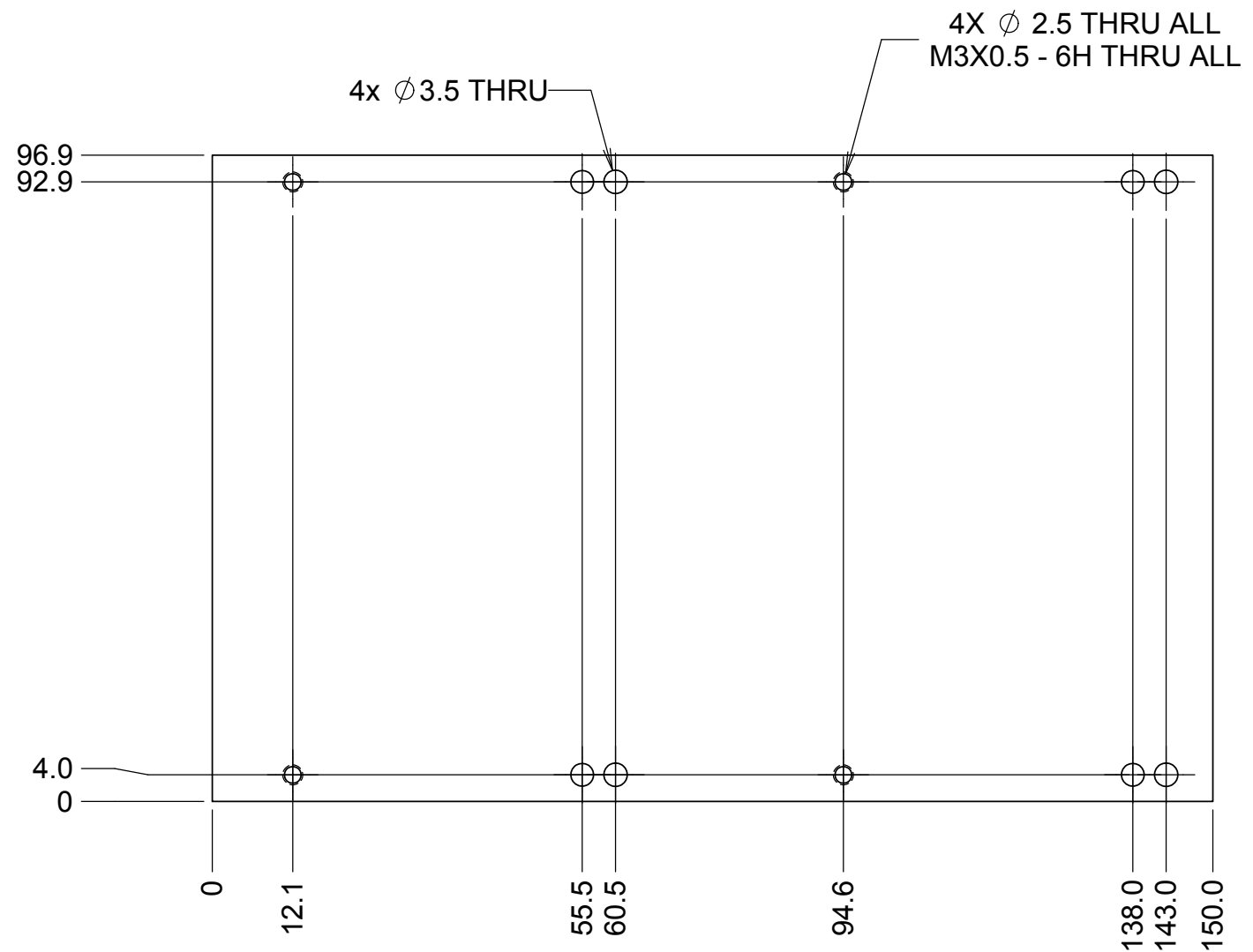
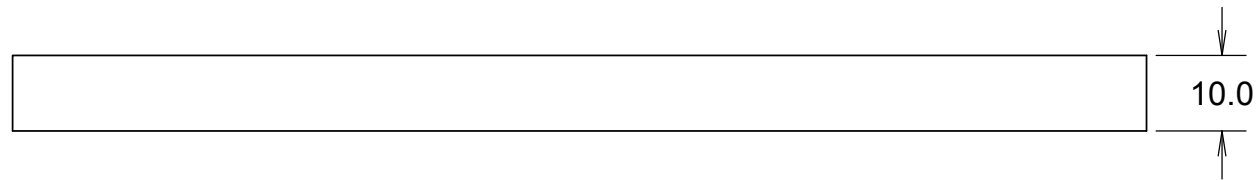


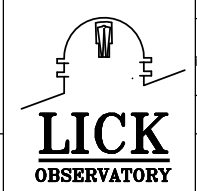
REVISIONS				
DRWN	DATE	CHK'D	REV	DESCRIPTION
CR	10MAY17		A	PRELIMINARY RELEASE
CR	23MAY2017		B	ADDED HOLES



NOTES

- 1 CAD MODEL FILENAME, 872-LM2255 RIO Mount Plate
- 2 MATERIAL: 6061T5 ALUMINUM

UNLESS OTHERWISE NOTED DIMENSIONS ARE IN MILLIMETERS & TOLERANCES ARE AS FOLLOWS:
 X.X: ±0.10 mm X.XX: ±0.01 mm
 ANGLES: ±0.5° FINISH: 3 MICRONS (µm)
 BREAK ALL SHARP EDGES & CORNERS .25mm MAX



DRAWN C. RATLIFF		KECK 1 DEPLOYABLE TERTIARY MIRROR	
CHECKED JW DM	TBD	K1DM3 INNER DRUM	
DESIGNED C. RATLIFF	NA	TITLE RIO MOUNT PLATE	
ENGINEER		PROJECT CODE K1D3DD	DWG NO 872-LM2255
MATERIAL SEE NOTES	FINISH	SW DOCUMENT FILE 872-LM2255 RIO MOUNT PLATE	QUANTITY 1
		NEXT ASSY 872-LM2000	REV A 1/1