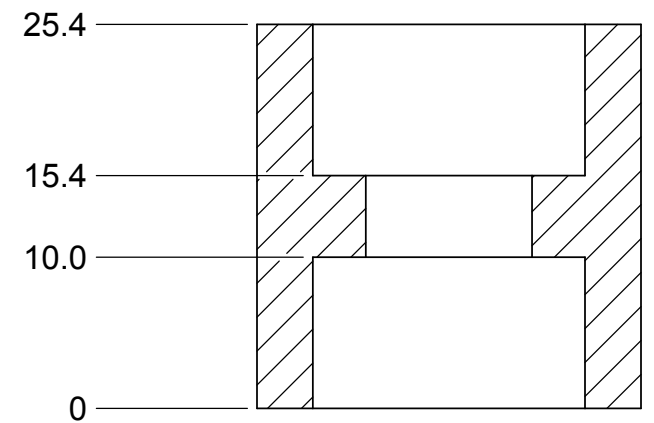
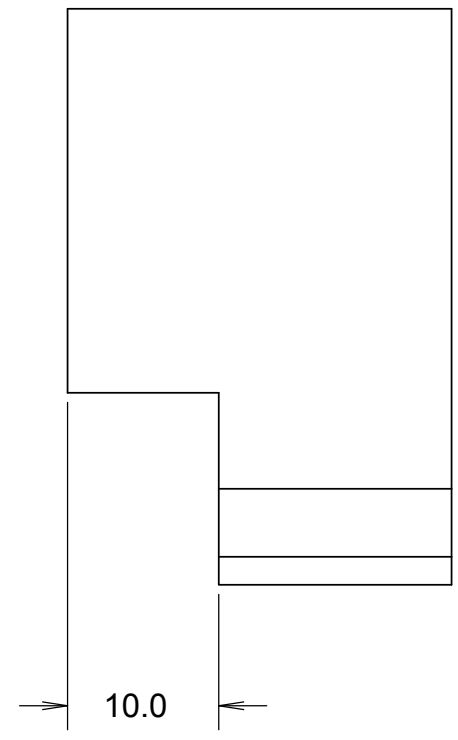
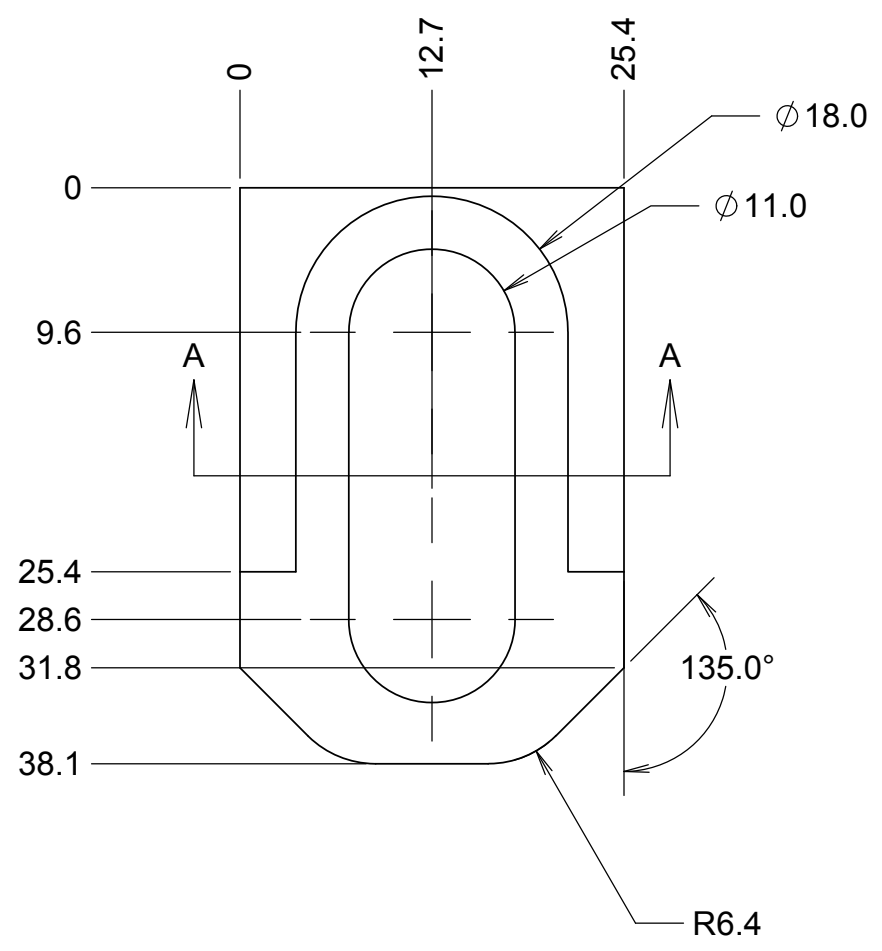


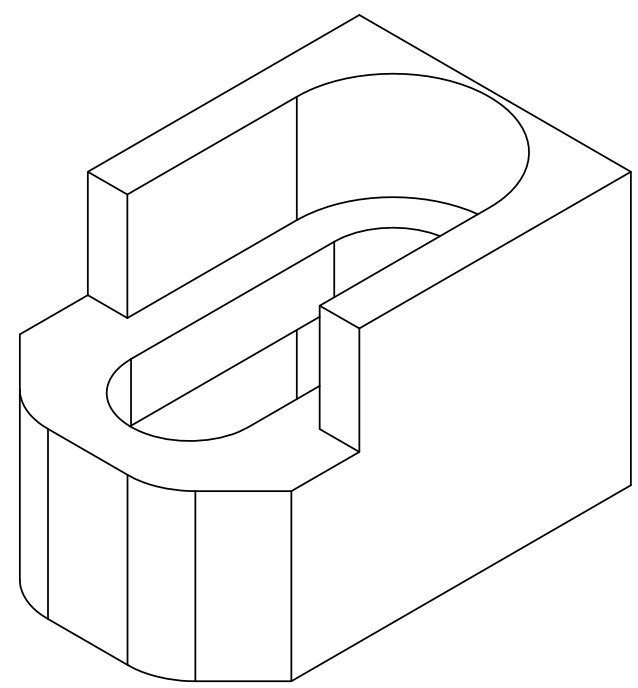
8 7 6 5 4 3 2 1

REVISIONS				
DRWN	DATE	CHK'D	REV	DESCRIPTION
CR	15NOV17		A	PRELIMINARY RELEASE

D
C
B
A



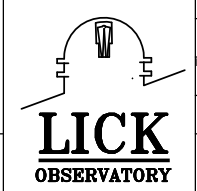
SECTION A-A
SCALE 2 : 1



D
C
B
A

- NOTES**
- CAD MODEL FILENAME, 872-LM2269 switch ramp
 - MATERIAL: 300 SERIES STAINLESS STEEL
 - BREAK ALL SHARP EDGES

UNLESS OTHERWISE NOTED DIMENSIONS ARE IN MILLIMETERS & TOLERANCES ARE AS FOLLOWS:
 X.X: ±0.10 mm X.XX: ±0.05 mm
 ANGLES: ±0.5° FINISH: 3 MICRONS (µm)
 BREAK ALL SHARP EDGES & CORNERS .25mm MAX



DRAWN C. RATLIFF		KECK 1 DEPLOYABLE TERTIARY MIRROR	
CHECKED DM	TBD	INNER DRUM	
DESIGNED C. RATLIFF	NA	TITLE SWITCH RAMP B	
ENGINEER		PROJECT CODE K1D3FD	DWG NO 872-LM0000
MATERIAL SEE NOTES	FINISH	SW DOCUMENT FILE 872-LM2269 SWITCH RAMP B	QUANTITY 2
		NEXT ASSY 872-LM0000	REV A
		872-LM2269	1

8 7 6 5 4 3 2 1