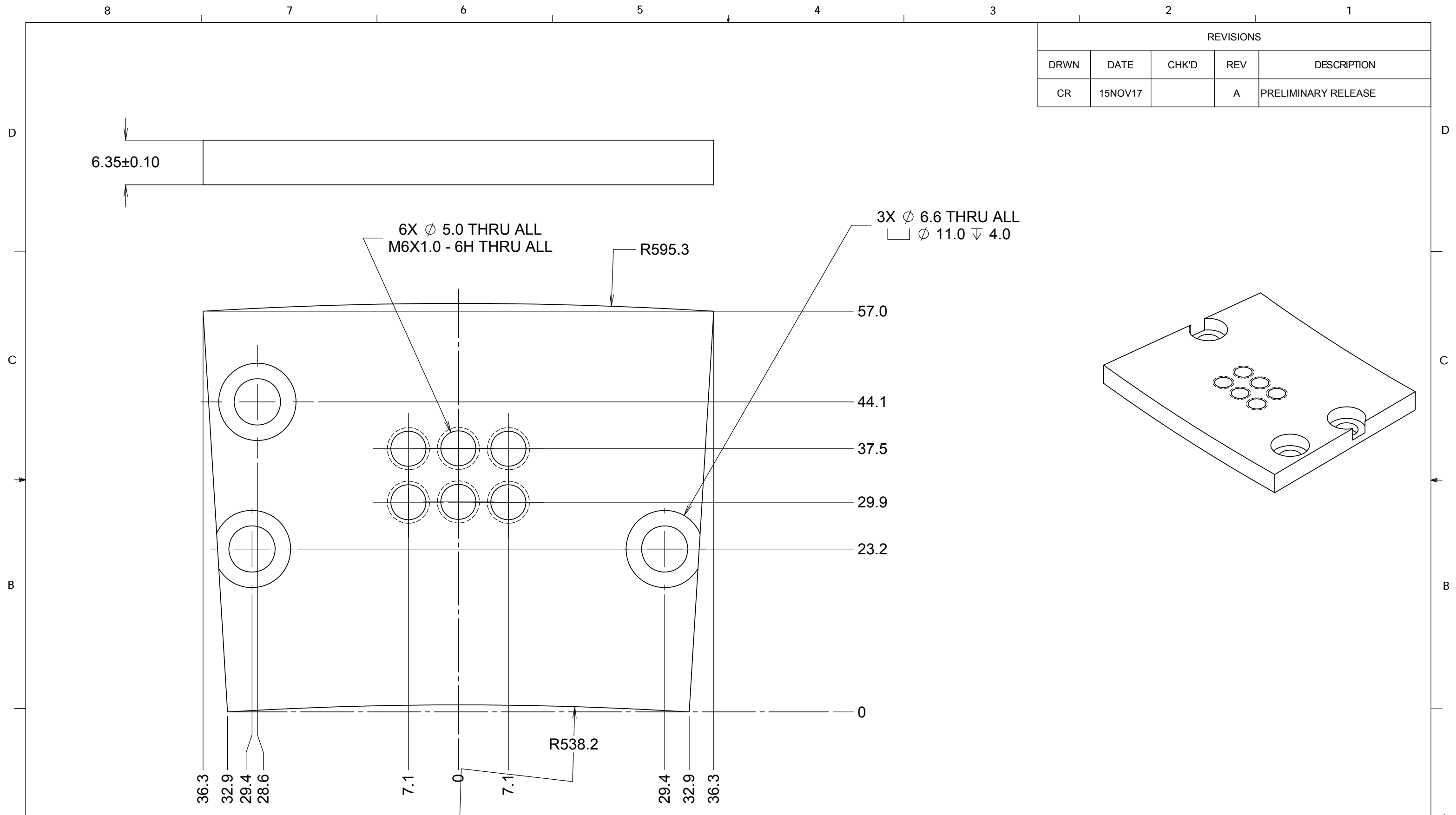
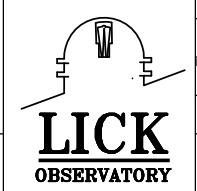


REVISIONS				
DRWN	DATE	CHK'D	REV	DESCRIPTION
CR	15NOV17		A	PRELIMINARY RELEASE



- NOTES**
- CAD MODEL FILENAME, 872-LM2273 Trigger Mount B
 - MATERIAL: 6061 T6 ALUMINUM
 - BREAK ALL SHARP EDGES
 - PAINT BLACK WITH BEST KNOWN METHOD

UNLESS OTHERWISE NOTED DIMENSIONS ARE IN MILLIMETERS & TOLERANCES ARE AS FOLLOWS:
 X.X: ±0.10 mm X.XX: ±0.05 mm
 ANGLES: ±0.5° FINISH: 3 MICRONS (µm)
 BREAK ALL SHARP EDGES & CORNERS .25mm MAX



DESIGNED C. RATLIFF ENGINEER	CHECKED DM	QUANTITY 1	PROJECT CODE K1D3FD	DWG NO 872-LM0000	REV A
TITLE TRIGGER MOUNT B			872-LM2273		
SW DOCUMENT FILE 872-LM2273 Trigger Mount B					