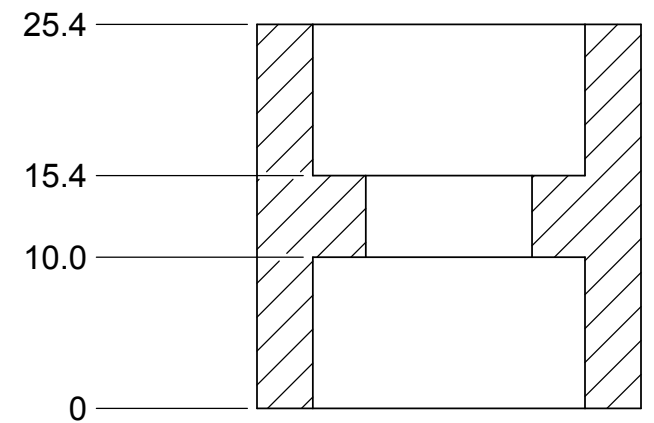
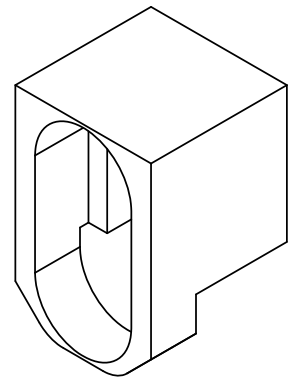
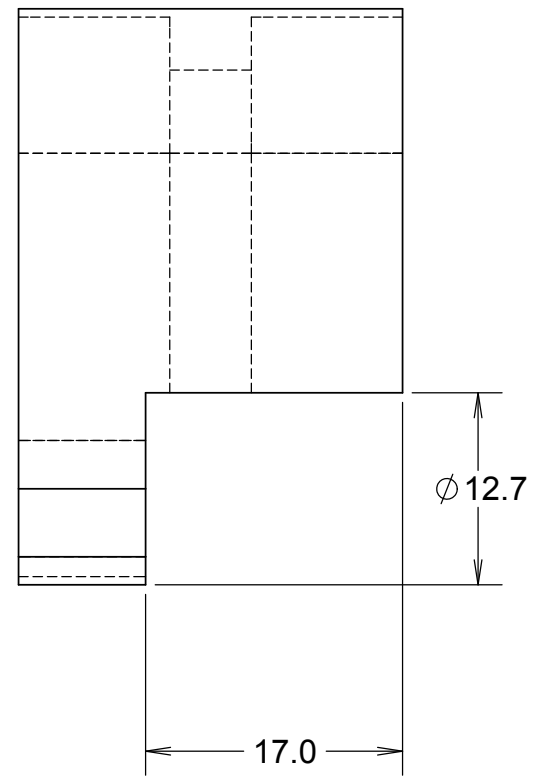
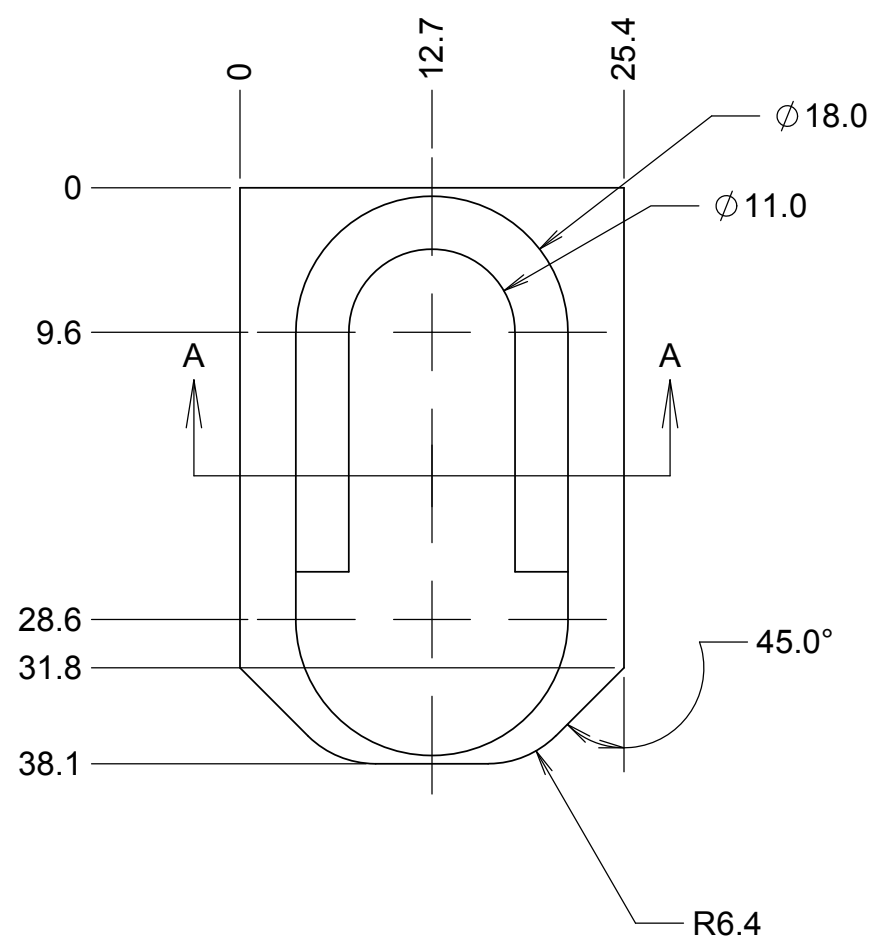


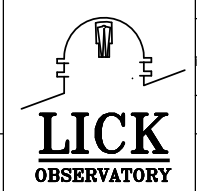
REVISIONS				
DRWN	DATE	CHK'D	REV	DESCRIPTION
CR	6DEC17		A	PRELIMINARY RELEASE



SECTION A-A
SCALE 2 : 1

- NOTES**
- CAD MODEL FILENAME, 872-LM2275 switch ramp C
 - MATERIAL: 300 SERIES STAINLESS STEEL
 - BREAK ALL SHARP EDGES
 - FABRICATE FROM EXISTING PART

UNLESS OTHERWISE NOTED DIMENSIONS ARE IN MILLIMETERS & TOLERANCES ARE AS FOLLOWS:
 X.X: ±0.10 mm X.XX: ±0.05 mm
 ANGLES: ±0.5° FINISH: 3 MICRONS (µm)
 BREAK ALL SHARP EDGES & CORNERS .25mm MAX



DRAWN C. RATLIFF		KECK 1 DEPLOYABLE TERTIARY MIRROR		
CHECKED DM	TBD	INNER DRUM		
DESIGNED C. RATLIFF	NA	TITLE SWITCH RAMP C		
ENGINEER		QUANTITY 1	PROJECT CODE K1D3FD	DWG NO 872-LM0000
MATERIAL SEE NOTES	FINISH	872-LM2275 SWITCH RAMP C	872-LM2275	REV A 1/1