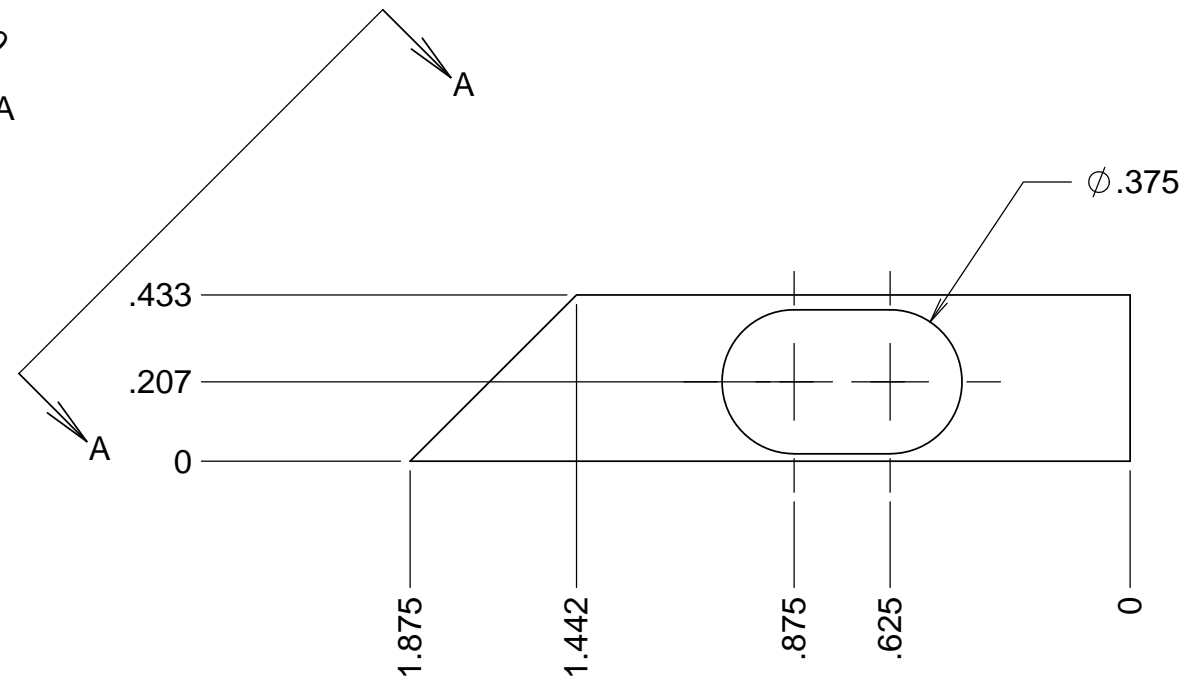
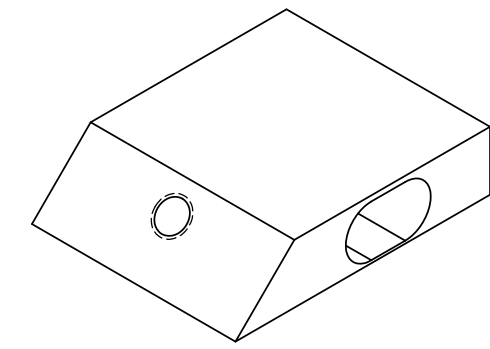
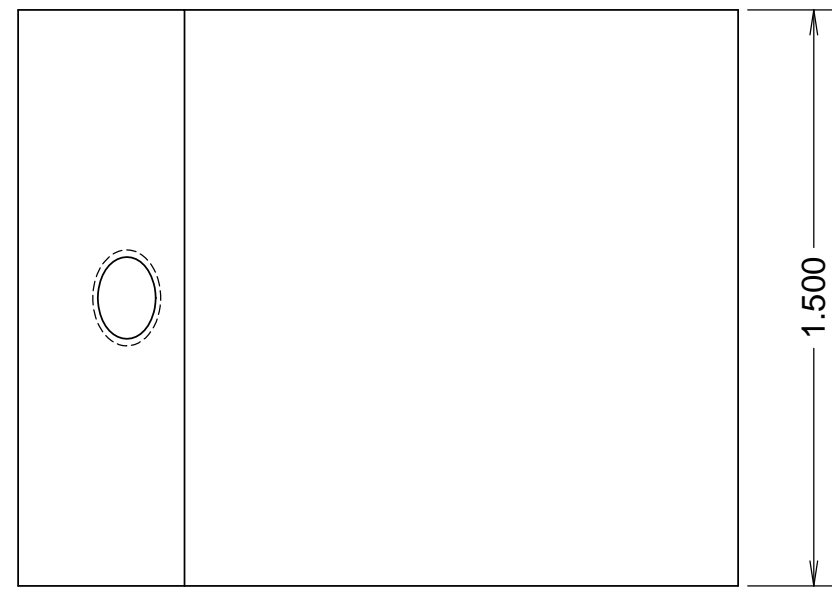
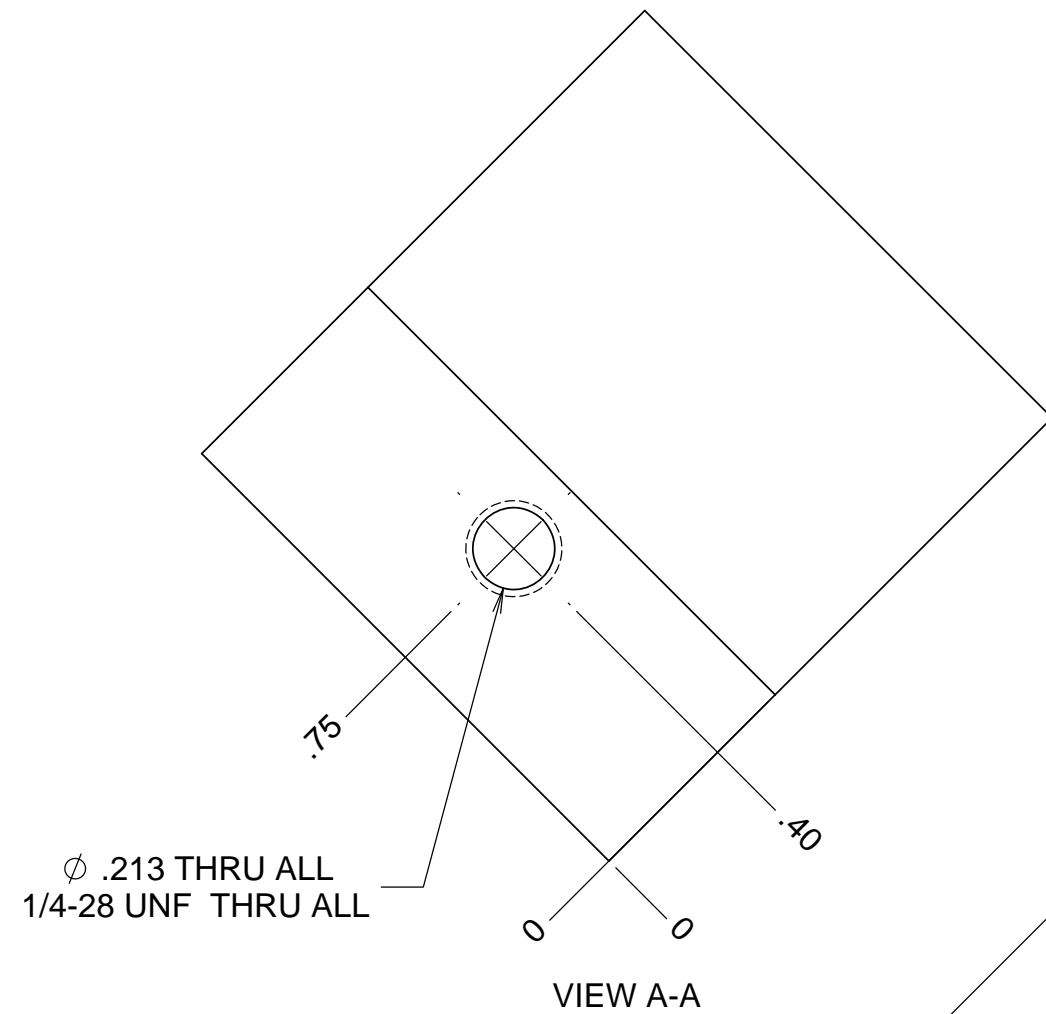


REVISIONS				
REV	DATE	DRW'N	CHCK'D	DESCRIPTION
A	10JUL18	CR	--	INITIAL RELEASE



NOTES

- CAD MODEL FILENAME, 872-LM2286 V-Block Wedge Block
- STEEL

UNLESS OTHERWISE NOTED DIMENSIONS ARE IN INCHES & TOLERANCES ARE AS FOLLOWS

X.X: ±0.1000" X.XX: ±0.0100"
X.XXX: ±0.0050" X.XXXX: ±0.0001"
ANGLES: ±0.5° FINISH: 125 MICRO INCHES
BREAK ALL SHARP EDGES & CORNERS .002" MAX

MATERIAL: SEE NOTE 2. FINISH: NA



DRAWN	RATLIFF	--	KECK 1 DEPLOYABLE TERTIARY MIRROR
CHECKED	MARQUES	--	INNER DRUM
DESIGNED	RATLIFF	--	TITLE
ENGINEER	RATLIFF	--	V-BLOCK ADJUSTMENT BLOCK
SW DOCUMENT FILE	1	PROJECT CODE	K1D3FD
		DWG NO	872-LM2286
		NEXT ASSY	--
			A/11