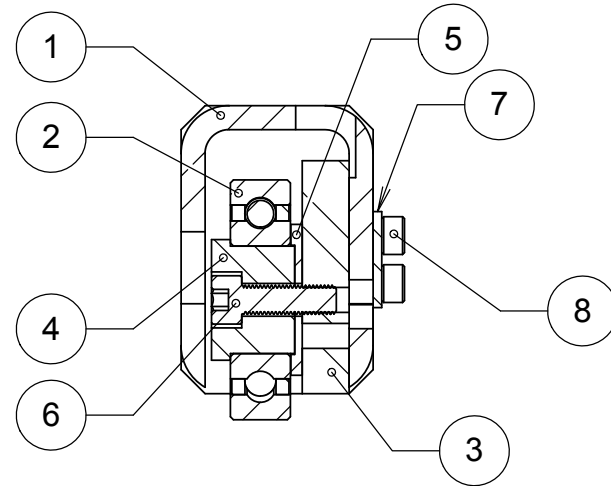
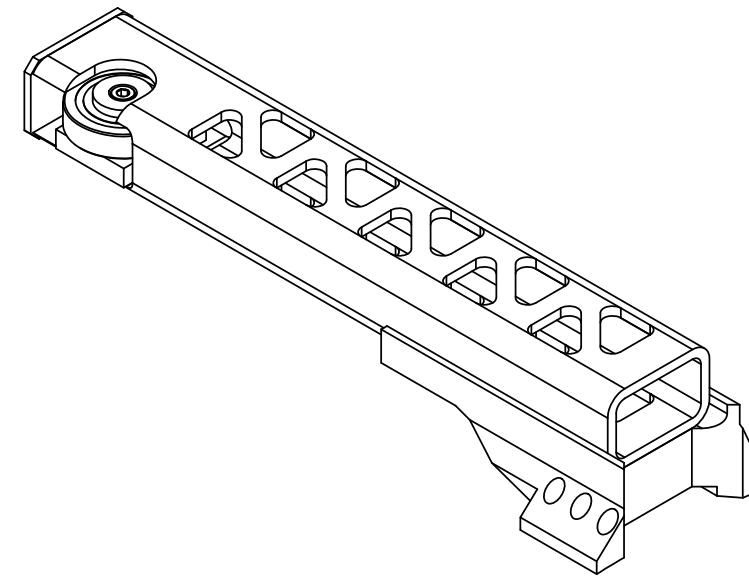
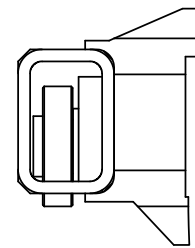
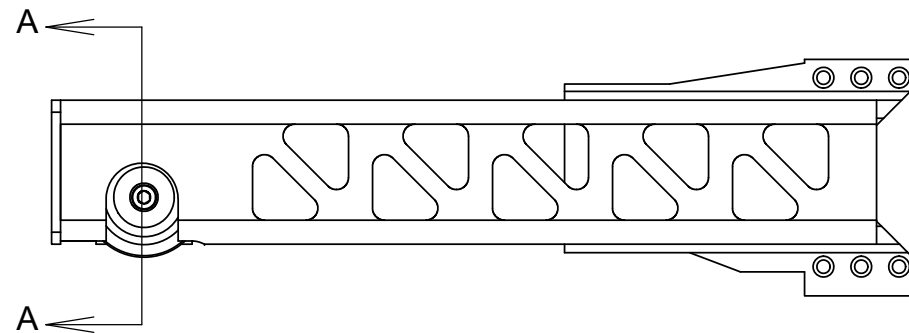


REVISIONS				
REV	DATE	DRWN	CHKD	DESCRIPTION
A	13AUG15	CR		PRE- RELEASE



SECTION A-A
SCALE 1 : 2



ITEM NO.	PartNo	DESCRIPTION	QTY.
1	872-LM3119	WHEEL MOUNT ARM V SIDE	1
2	MC 2780T670	BALL BEARING, 2.5 INCH O.D.	1
3	872-LM3121	FLAT WHEEL MOUNT	1
4	872-LM3123	BEARING MOUNT ANTI-TIP	1
5	872-LM3164	BEARING HOLDER SHIM	1
6	MC 96144A215	SHCS, M8X25X1.0	1
7	872-LM3122	WASHER PLATE, ANTI-TIP	1
8	MC 91292A136	SHCS M6X18	4

NOTES

- MAY NEED TO REMOVE MORE MATERIAL FROM ITEM 1 DUE TO LARGE WELD BEAD ON OUTER DRUM
- APPLY LOCTITE TO ITEMS 6 AND 8 PRIOR TO FINAL INSTALLATION, TORQUE TO YIELD WHEN TIGHTENING

UNLESS OTHERWISE NOTED DIMENSIONS ARE IN MILLIMETERS & TOLERANCES ARE AS FOLLOWS: X.X: ±0.10 mm X.XX: ±0.01 mm ANGLES: ±0.5° FINISH: 3 MICRONS (µm) BREAK ALL SHARP EDGES & CORNERS .25mm MAX			DRAWN: RATLIFF CHECKED: _____ DESIGNED: _____ ENGINEER: _____	9/23/15 AUG2015	KECK 1 DEPLOYABLE TERTIARY MIRROR OUTER DRUM ASSEMBLY TITLE: ANTI-TIP ARM A, V SIDE	PROJECT CODE: K1D3DD DWG NO: 872-LM3118	REV: A 1/1
MATERIAL: --	FINISH: --		SW DOCUMENT FILE: 872-LM3118	QUANTITY: --	NEXT ASSY: --		