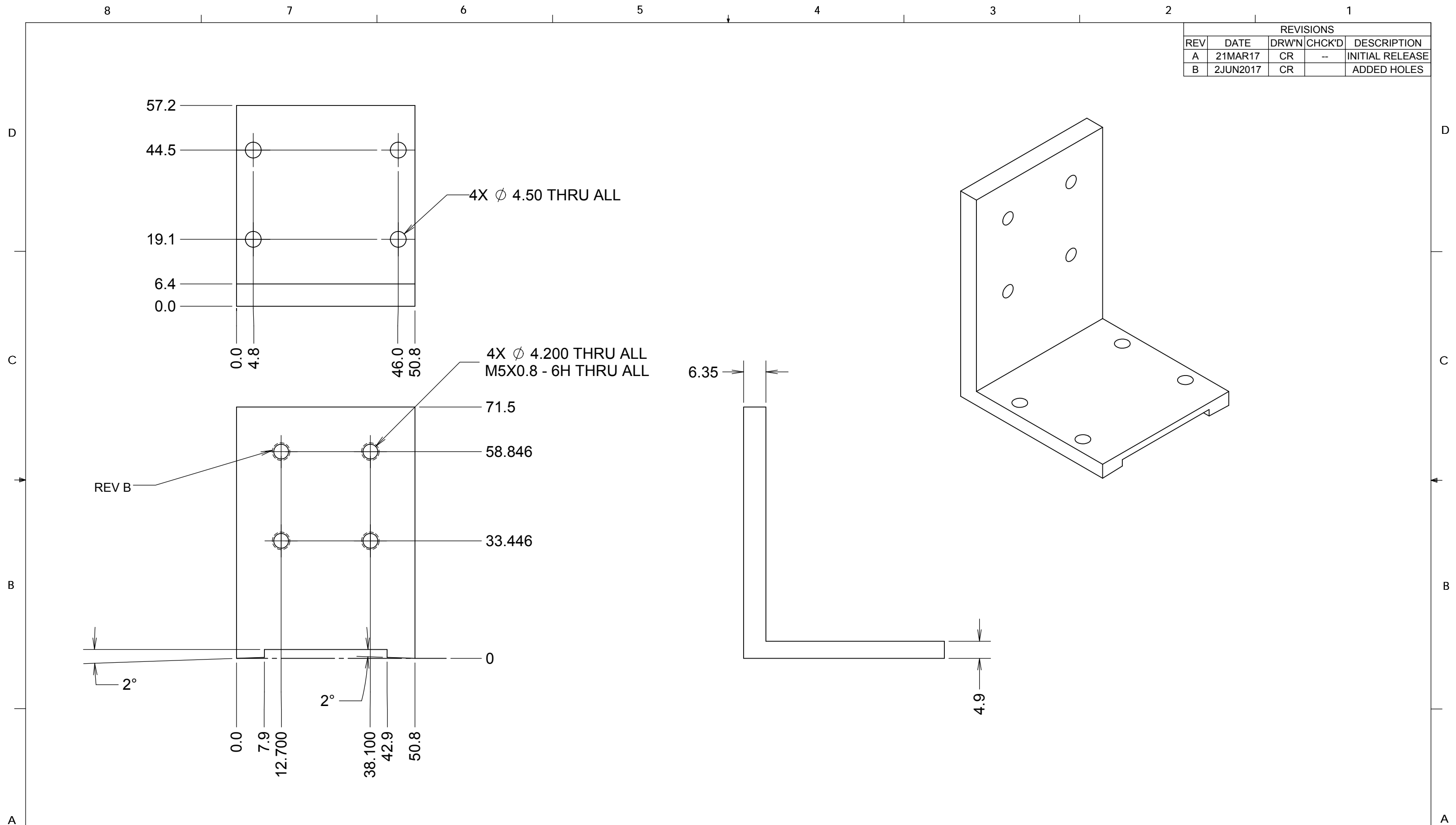


REVISIONS				
REV	DATE	DRW'N	CHCK'D	DESCRIPTION
A	21MAR17	CR	--	INITIAL RELEASE
B	2JUN2017	CR		ADDED HOLES



NOTES

- 1 CAD MODEL FILENAME, 872-LM3148 Tertiary tower shock contact
- 2. MATERIAL: ASTM A500 STEEL OR SIMILAR

UNLESS OTHERWISE NOTED DIMENSIONS ARE IN MILLIMETERS & TOLERANCES ARE AS FOLLOWS: X.X: ±0.10 mm X.XX: ±0.04 mm ANGLES: ±0.1° FINISH: 3 MICRONS (µm) BREAK ALL SHARP EDGES & CORNERS .25mm MAX			DRAWN RATLIFF	--	KECK 1 DEPLOYABLE TERTIARY MIRROR	
NOTE 2			FINISH NA	CHECKED DC	--	OUTER DRUM
			DESIGNED CR	--	TITLE TERTIARY TOWER SHOCK ABSORBER CONTACT	
			ENGINEER RATLIFF	--	QUANTITY 2	PROJECT CODE K1D3FD
			SW DOCUMENT FILE 872-LM3148.SLDPRPT		NEXT ASSY -	DWG NO 872-LM3148
						REV B 1/1