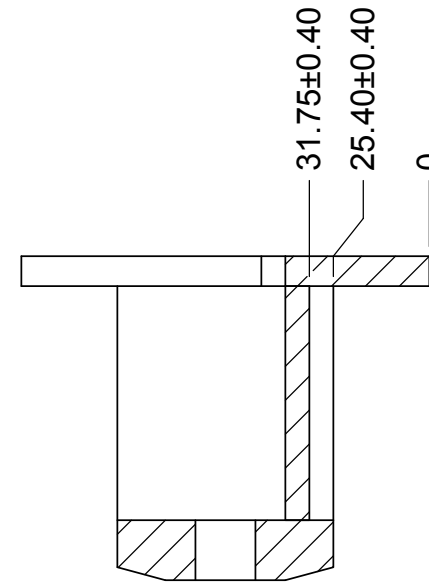
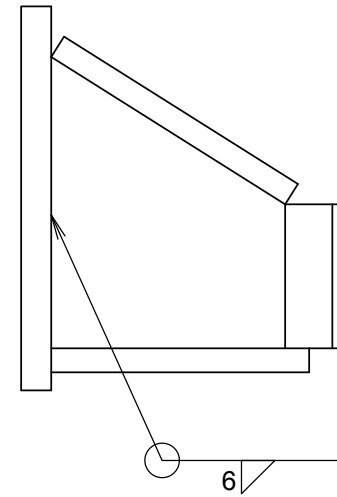
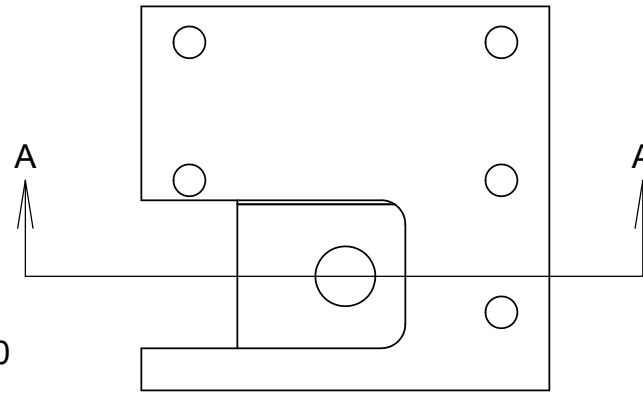
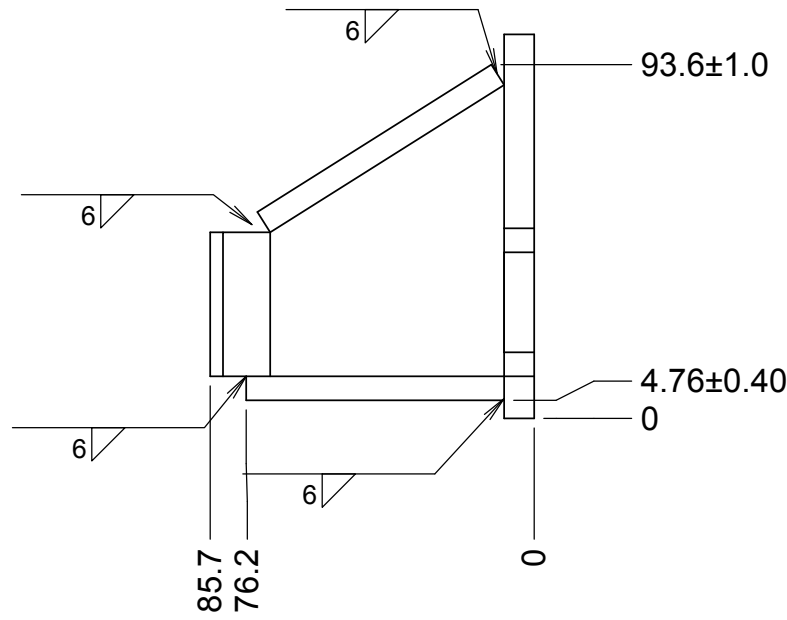
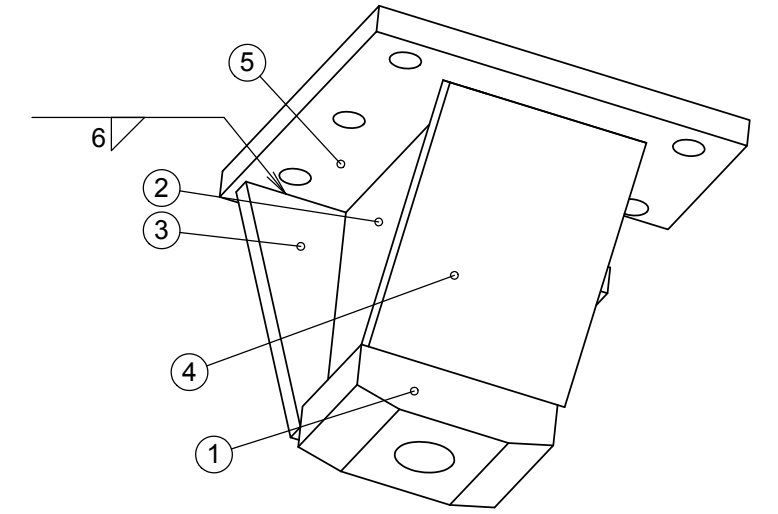
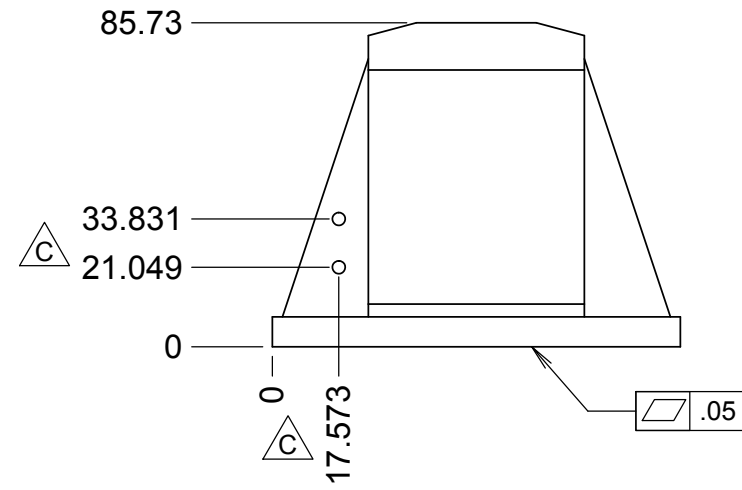


REVISIONS				
REV	DATE	DRW'N	CHCK'D	DESCRIPTION
A	23MAR17	CR	--	INITIAL RELEASE
B	5JUNE2017	CR		ADDED DIMENSIONS
C	19JUN17	GFC	JW	ADDED DIMENSIONS



ITEM NO.	PARTNUMBER
1	872-LM3158-1
2	872-LM3158-2
3	872-LM3158-3
4	872-LM3158-4
5	872-LM3158-5

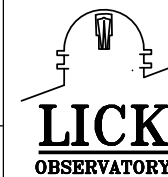
NOTES

- 1 CAD MODEL FILENAME, 872-LM3158 Seismic_Restraint
2. MATERIAL: STEEL
3. HOLE IN ITEM 1 TO BE DRILLED USING TRANSFER PUNCH FROM INNER DIAMETER OF INNER DRUM PIN BOSS, POSITIONS GIVEN HERE ARE FOR NOMINAL LOCATION IN CAD LAYOUT
4. ALL WELDS HAVE A TOLERANCE OF +-2MM, WELD ALL ACCESSIBLE JOINTS

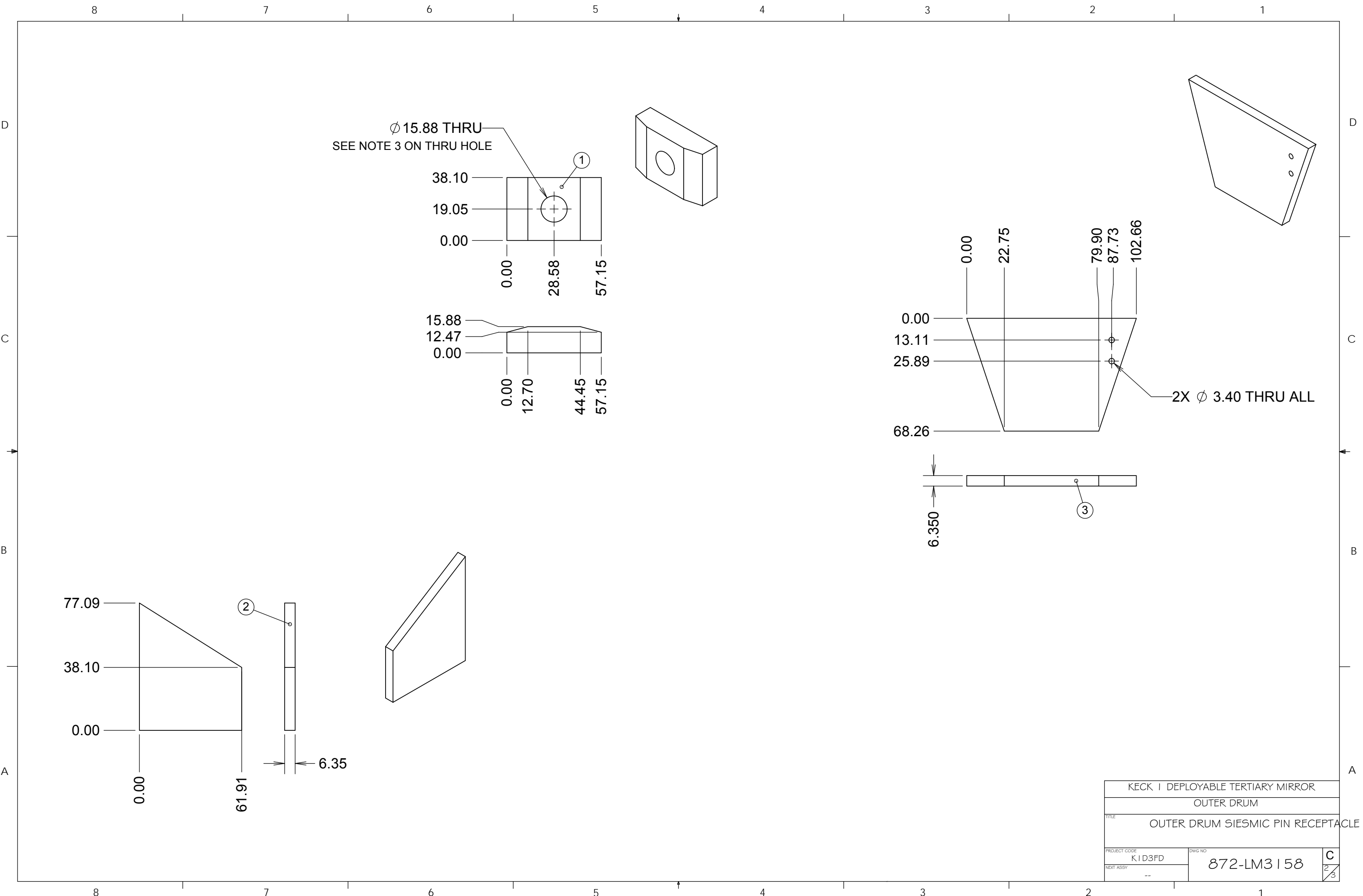
SECTION A-A

UNLESS OTHERWISE NOTED DIMENSIONS ARE IN MILLIMETERS * TOLERANCES ARE AS FOLLOWS:
 X.X: ±0.10 mm X.XX: ±0.05 mm
 ANGLES: ±0.5° FINISH: 3 MICRONS (µm)
 BREAK ALL SHARP EDGES * CORNERS .25mm MAX

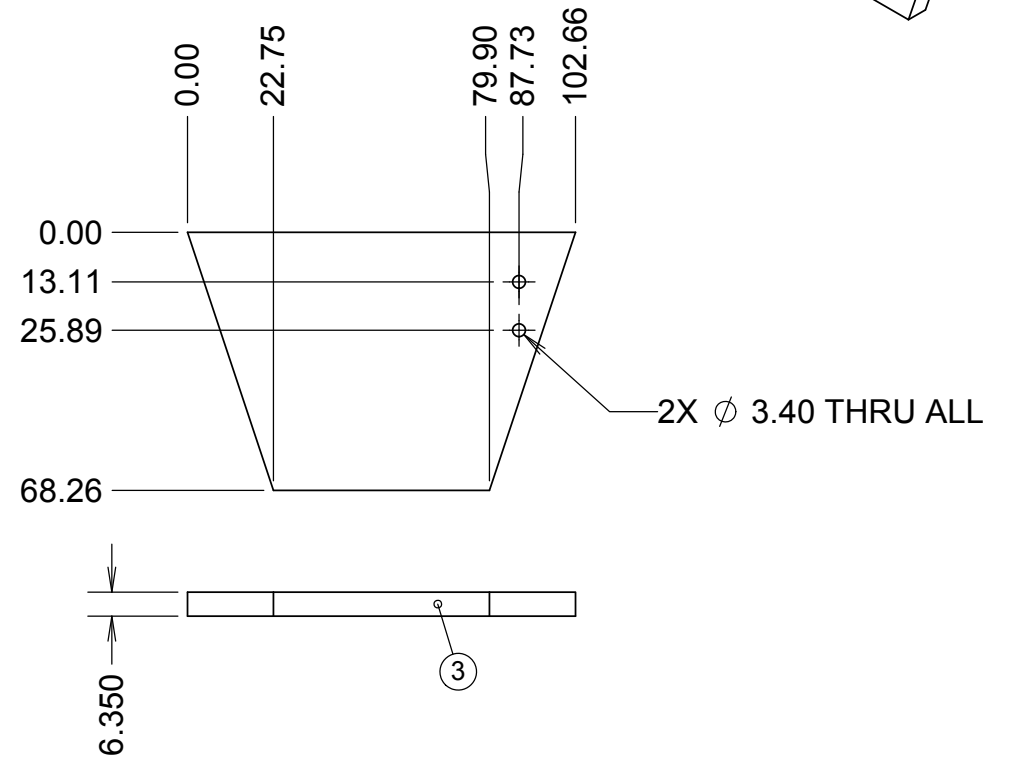
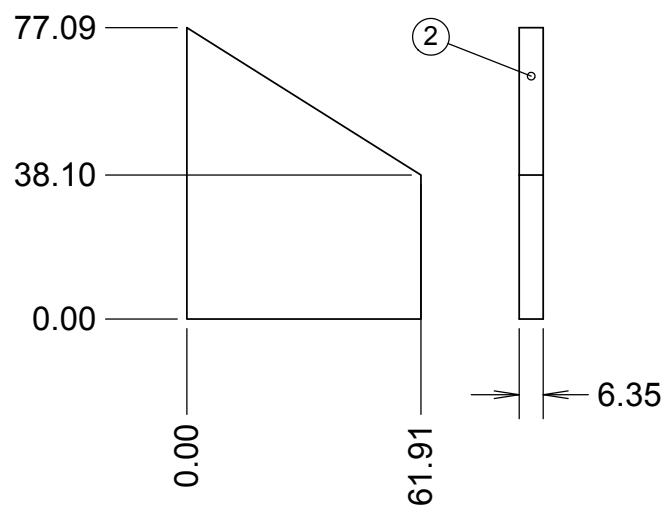
MATERIAL	FINISH
SEE NOTE 2.	NA



DRAWN	RATLIFF	QUANTITY	1	PROJECT CODE	K1D3FD	DWG NO	872-LM3158	REV	C
CHECKED	--	TITLE	OUTER DRUM SEISMIC PIN RECEPTACLE						
DESIGNED	JW CR	NEXT ASSY	--						
ENGINEER	RATLIFF	872-LM3158.SLDPRT							



Ø 15.88 THRU
SEE NOTE 3 ON THRU HOLE



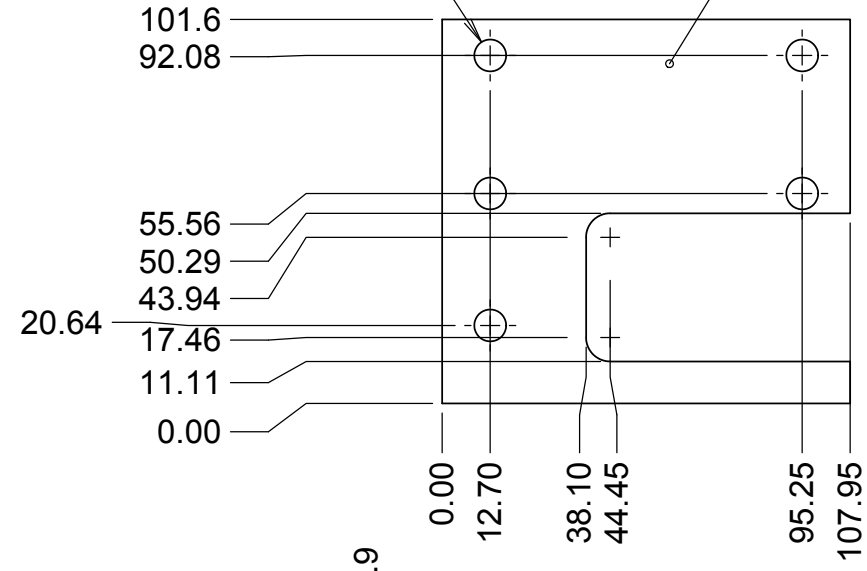
KECK I DEPLOYABLE TERTIARY MIRROR	
OUTER DRUM	
TITLE OUTER DRUM SIESMIC PIN RECEPTACLE	
PROJECT CODE K1D3FD	DWG NO 872-LM3158
NEXT ASSY --	
C 2 3	

8 7 6 5 4 3 2 1

D

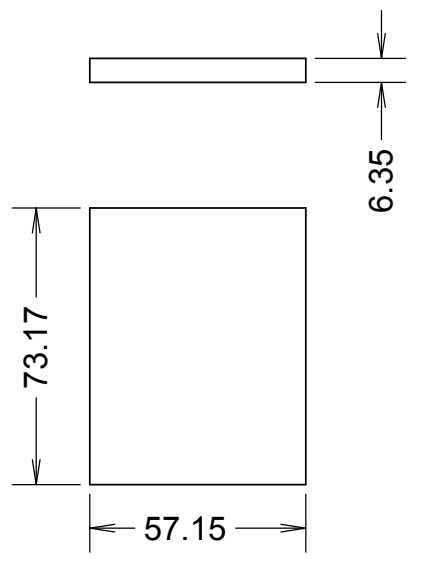
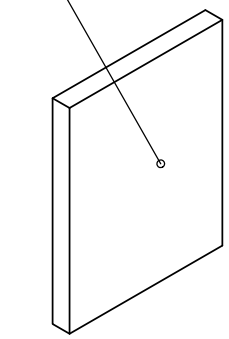
D

5X ϕ 8.43 THRU ALL



5

4

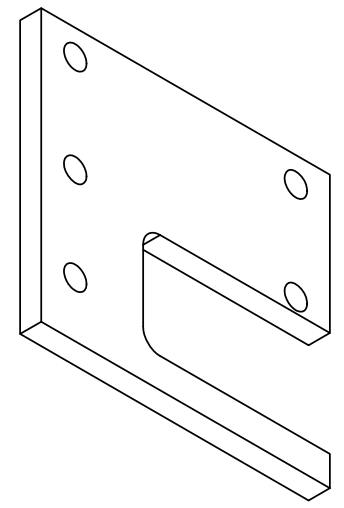


C

C

B

B



A

A

8 7 6 5 4 3 2 1

KECK I DEPLOYABLE TERTIARY MIRROR		
OUTER DRUM		
TITLE OUTER DRUM SIESMIC PIN RECEPTACLE		
PROJECT CODE K1D3FD	DWG NO 872-LM3158	C 3 3
NEXT ASSY --		