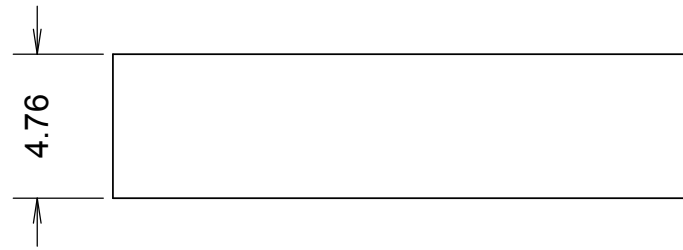
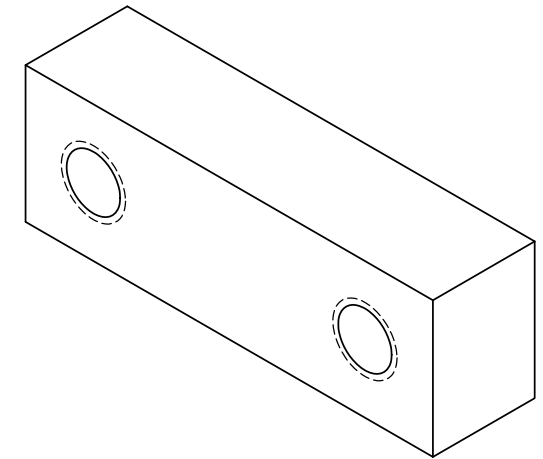
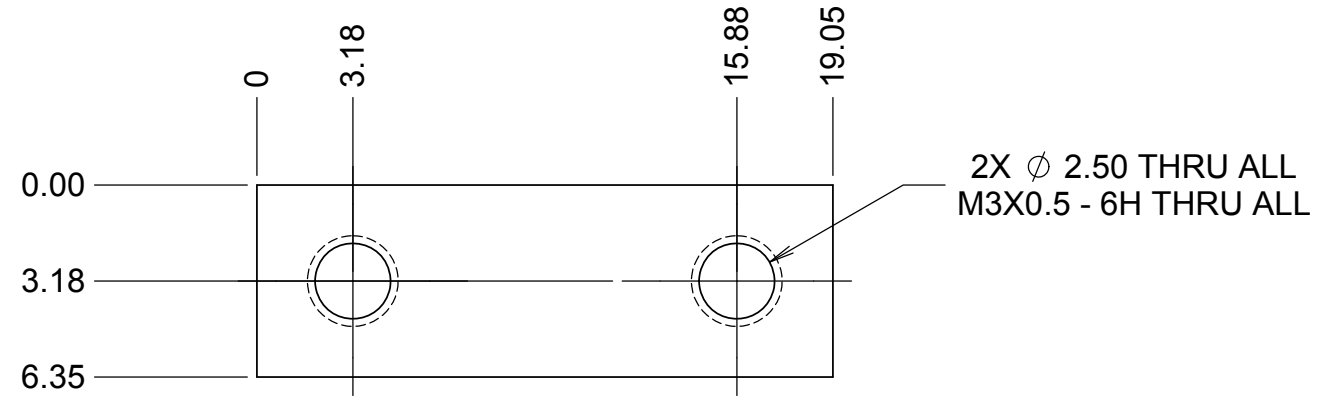


REVISIONS				
REV	DATE	DRW'N	CHCK'D	DESCRIPTION
A	27MAR17	CR	--	INITIAL RELEASE



NOTES

- CAD MODEL FILENAME, 872-LM3160 Siesmic Pin switch nut plate
- MATERIAL: STAINLESS STEEL

UNLESS OTHERWISE NOTED DIMENSIONS ARE IN MILLIMETERS & TOLERANCES ARE AS FOLLOWS: X.X: ±0.10 mm X.XX: ±0.01 mm ANGLES: ±0.5° FINISH: 3 MICRONS (µm) BREAK ALL SHARP EDGES & CORNERS .25mm MAX			DRAWN RATLIFF	--	KECK 1 DEPLOYABLE TERTIARY MIRROR	
SEE NOTE 2.			FINISH NA	CHECKED JW	--	OUTER DRUM
			DESIGNED CR	--	TITLE SEISMIC PIN SWITCH MOUNT NUT PLATE	
			ENGINEER RATLIFF	--	PROJECT CODE K1D3FD	
			SW DOCUMENT FILE 872-LM3160.SLDPRT	QUANTITY 1	NEXT ASSY --	DWG NO 872-LM3160
						REV A 1/1