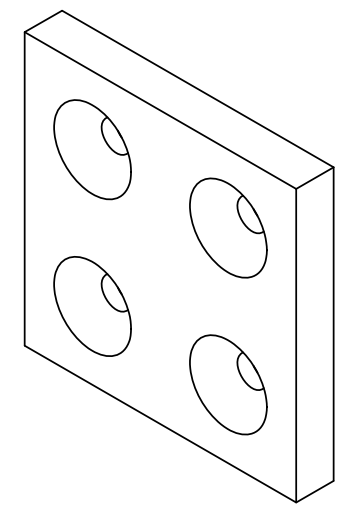
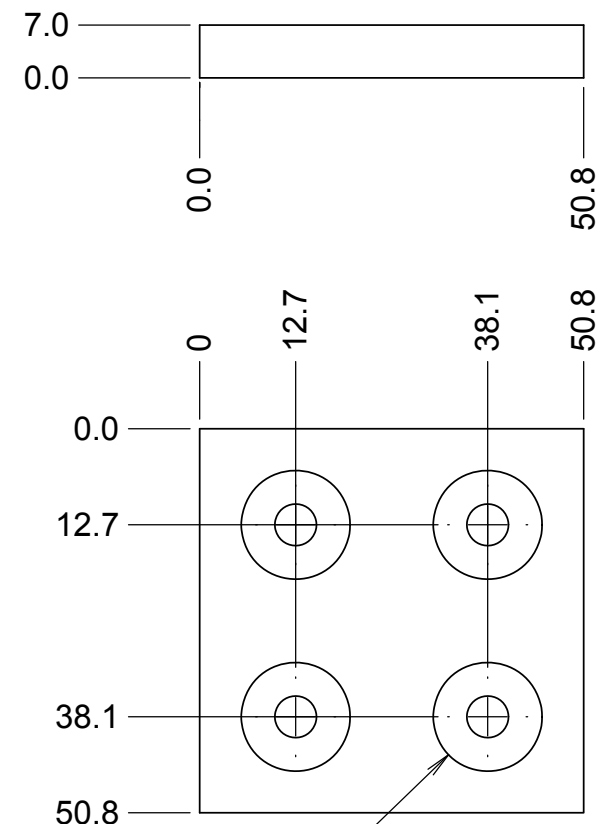


| REVISIONS |        |       |        |                 |
|-----------|--------|-------|--------|-----------------|
| REV       | DATE   | DRW'N | CHCK'D | DESCRIPTION     |
| A         | 2JUN17 | CR    | --     | INITIAL RELEASE |



4X  $\phi$  5.500 THRU ALL  
 $\checkmark$   $\phi$  14.4 X 90°  
 CSK FOR M5 FLAT HEAD MACHINE SCREW HEAD CLEARANCE:2.0

**NOTES**

- 1 CAD MODEL FILENAME, 872-LM3166 Tertiary tower shock delrin contact
- 2. MATERIAL: DELRIN, UV RESISTANT OR BLACK DELRIN

|  |              |  |                                       |                             |   |
|--|--------------|--|---------------------------------------|-----------------------------|---|
| UNLESS OTHERWISE NOTED DIMENSIONS ARE IN MILLIMETERS & TOLERANCES ARE AS FOLLOWS:<br>X.X: ±0.10 mm X.XX: ±0.04 mm<br>ANGLES: ±0.1° FINISH: 3 MICRONS (µm)<br>BREAK ALL SHARP EDGES & CORNERS .25mm MAX |              |  | DRAWN<br><b>RATLIFF</b>               | --                          | KECK 1 DEPLOYABLE TERTIARY MIRROR                         |
|  |              |  | CHECKED<br><b>DM JW</b>               | --                          | OUTER DRUM  |
|  |              |  | DESIGNED<br><b>CR</b>                 | --                          | TITLE<br>TERTIARY TOWER SHOCK<br>ABSORBER CONTACT, DELRIN |
|  |              |  | ENGINEER<br><b>RATLIFF</b>            | --                          |   |
| MATERIAL<br>NOTE 2   | FINISH<br>NA |  | SW DOCUMENT FILE<br>872-LM3166.SLDPRT | QUANTITY<br><b>2</b>        | PROJECT CODE<br>K1D3FD<br>NEXT ASSY<br>--                 |
|  |              |  |                                       | DWG NO<br><b>872-LM3166</b> | REV<br><b>A</b><br>1/1                                    |