

8 7 6 5 4 3 2 1

D

C

B

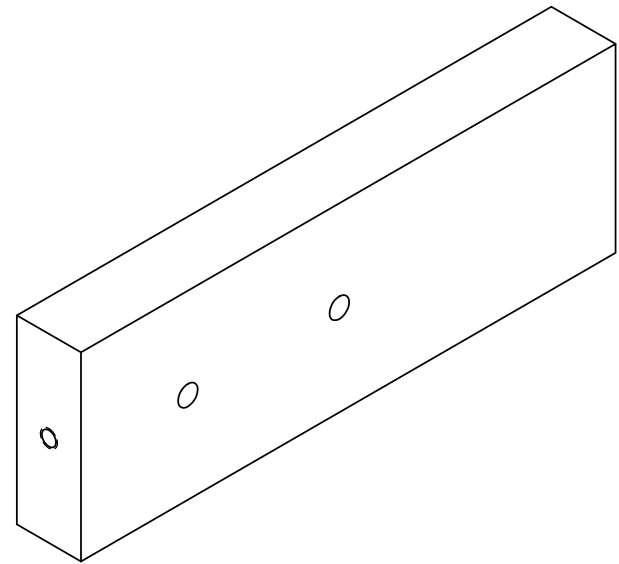
A

D

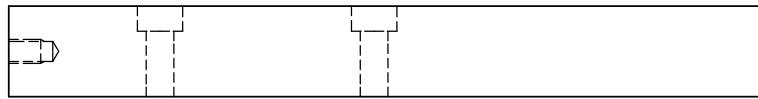
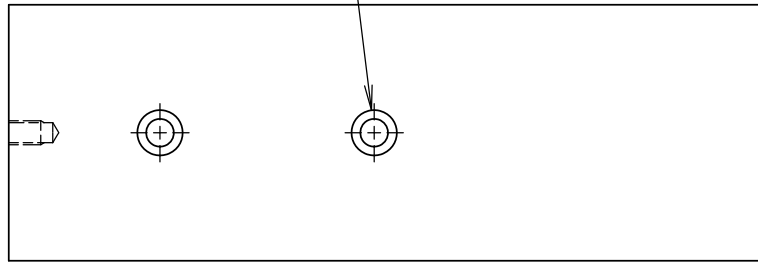
C

B

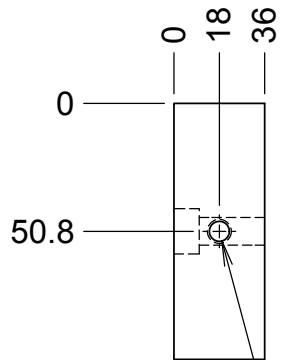
A



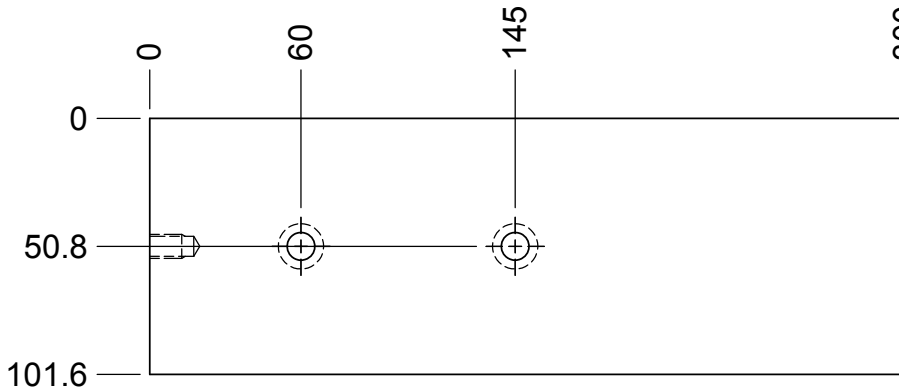
2X  $\phi$  11 THRU ALL  
 $\square$   $\phi$  18  $\nabla$  10  
 CBORE FOR M10 SHCS



REVISIONS				
DRWN	DATE	CHK'D	REV	DESCRIPTION
CR	13JUN17		A	PRELIMINARY RELEASE



$\phi$  7.9  $\nabla$  17.5  
 3/8-16 UNC  $\nabla$  12.7



**NOTES**

- 360 BRASS OR SIMILAR

UNLESS OTHERWISE NOTED DIMENSIONS ARE IN MILLIMETERS & TOLERANCES ARE AS FOLLOWS:  
 X.X:  $\pm$ 0.10 mm X.XX:  $\pm$ 0.01 mm  
 ANGLES:  $\pm$ 0.5° FINISH: 3 MICRONS ( $\mu$ m)  
 BREAK ALL SHARP EDGES & CORNERS .25mm MAX

MATERIAL: SEE NOTE 1  
 FINISH: --



DRAWN: C. RATLIFF  
 CHECKED: J. WARD  
 DESIGNED: C. RATLIFF  
 ENGINEER: C. RATLIFF  
 SW DOCUMENT FILE: 872-LM3167 BRASS COUNTERWEIGHT F.SLDASM  
 QUANTITY: 1

PROJECT CODE: K1D3DD  
 DWG NO: 872-LM3167  
 TITLE: KECK 1 DEPLOYABLE TERTIARY MIRROR STATOR OUTER DRUM COUNTER WEIGHT MOUNT  
 NEXT ASSY: KDM3000  
 REV: A  
 1/1

8 7 6 5 4 3 2 1