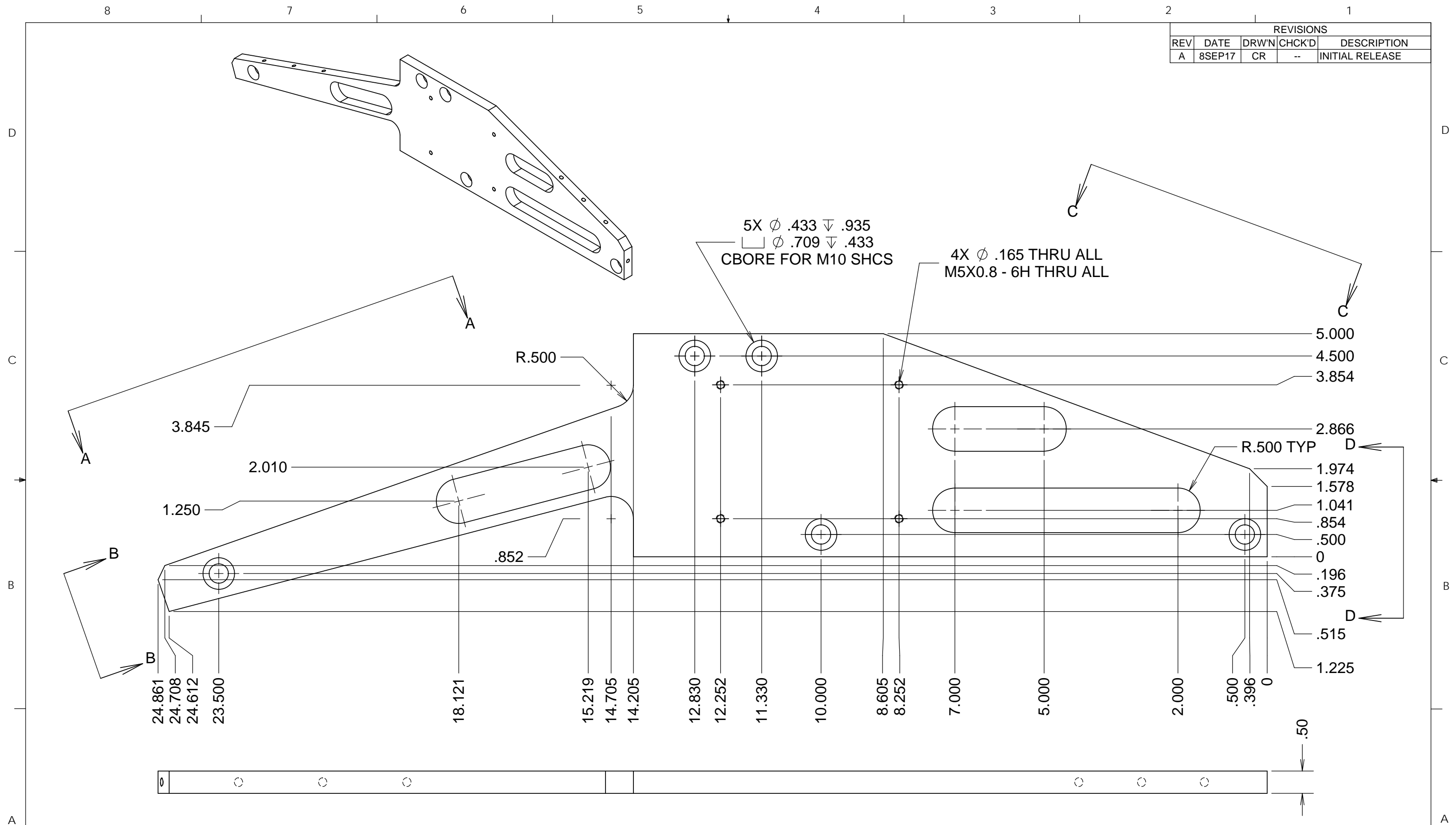


REVISIONS				
REV	DATE	DRW'N	CHCK'D	DESCRIPTION
A	8SEP17	CR	--	INITIAL RELEASE



NOTES

- CAD MODEL FILENAME, 872-LM3170 Outer Drum Electrical Enclosure Base
- 5/8 INCH MATERIAL THICKNESS IS OK TOO

UNLESS OTHERWISE NOTED DIMENSIONS ARE IN INCHES & TOLERANCES ARE AS FOLLOWS

X.X: ±0.1000" X.XX: ±0.0100"
 X.XXX: ±0.0050" X.XXXX: ±0.0001"
 ANGLES: ±0.5° FINISH: 125 MICRO INCHES
 BREAK ALL SHARP EDGES
 & CORNERS .002" MAX

MATERIAL: 5/6XXX AL
 FINISH: .5IN THICK



DRAWN	RATLIFF	--	KECK 1 DEPLOYABLE TERTIARY MIRROR
CHECKED	MARQUES	--	OUTER DRUM
DESIGNED	RATLIFF	--	TITLE
ENGINEER	RATLIFF	--	ELECTRICAL ENCLOSURE BASE
SW DOCUMENT FILE	1	PROJECT CODE	K1D3FD
		DWG NO	872-LM3170
		NEXT ASSY	--
			A/12

8 7 6 5 4 3 2 1

D

D

C

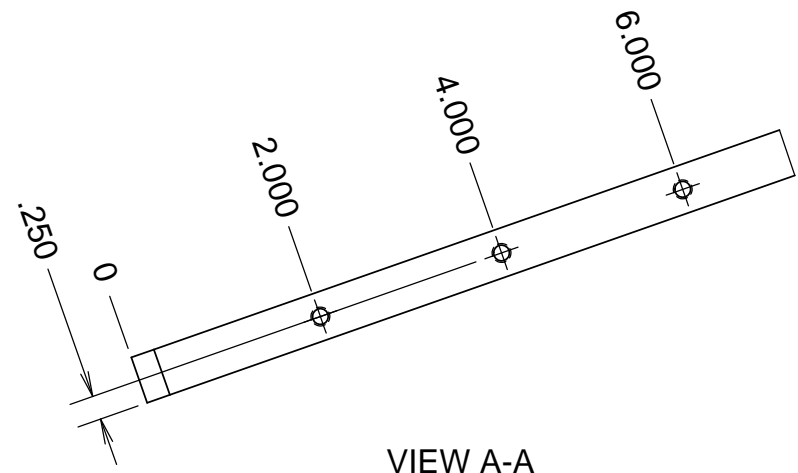
C

B

B

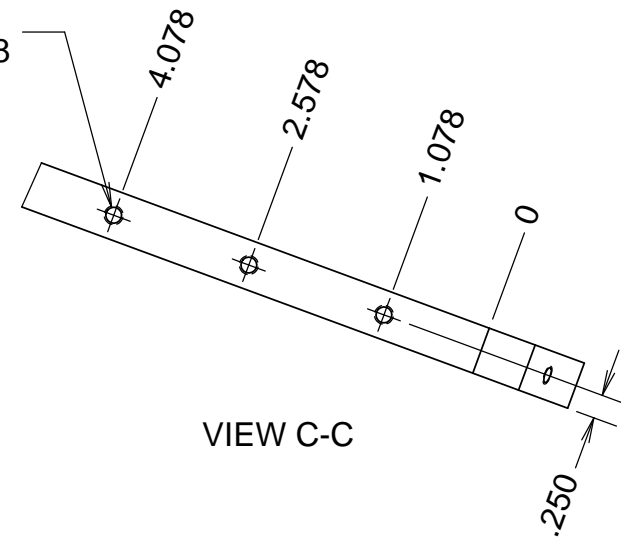
A

A

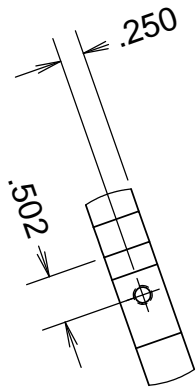


VIEW A-A

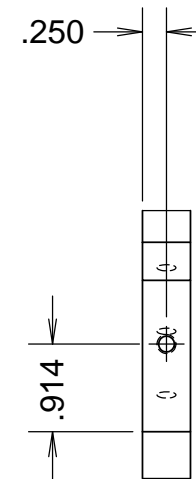
8X ϕ .165 ∇ .583
 M5X0.8 - 6H ∇ .488



VIEW C-C



VIEW B-B



VIEW D-D

KECK 1 DEPLOYABLE TERTIARY MIRROR		
OUTER DRUM		
TITLE ELECTRICAL ENCLOSURE BASE		
PROJECT CODE K1D3FD	DWG NO 3170	A
NEXT ASSY --		2/2

8 7 6 5 4 3 2 1