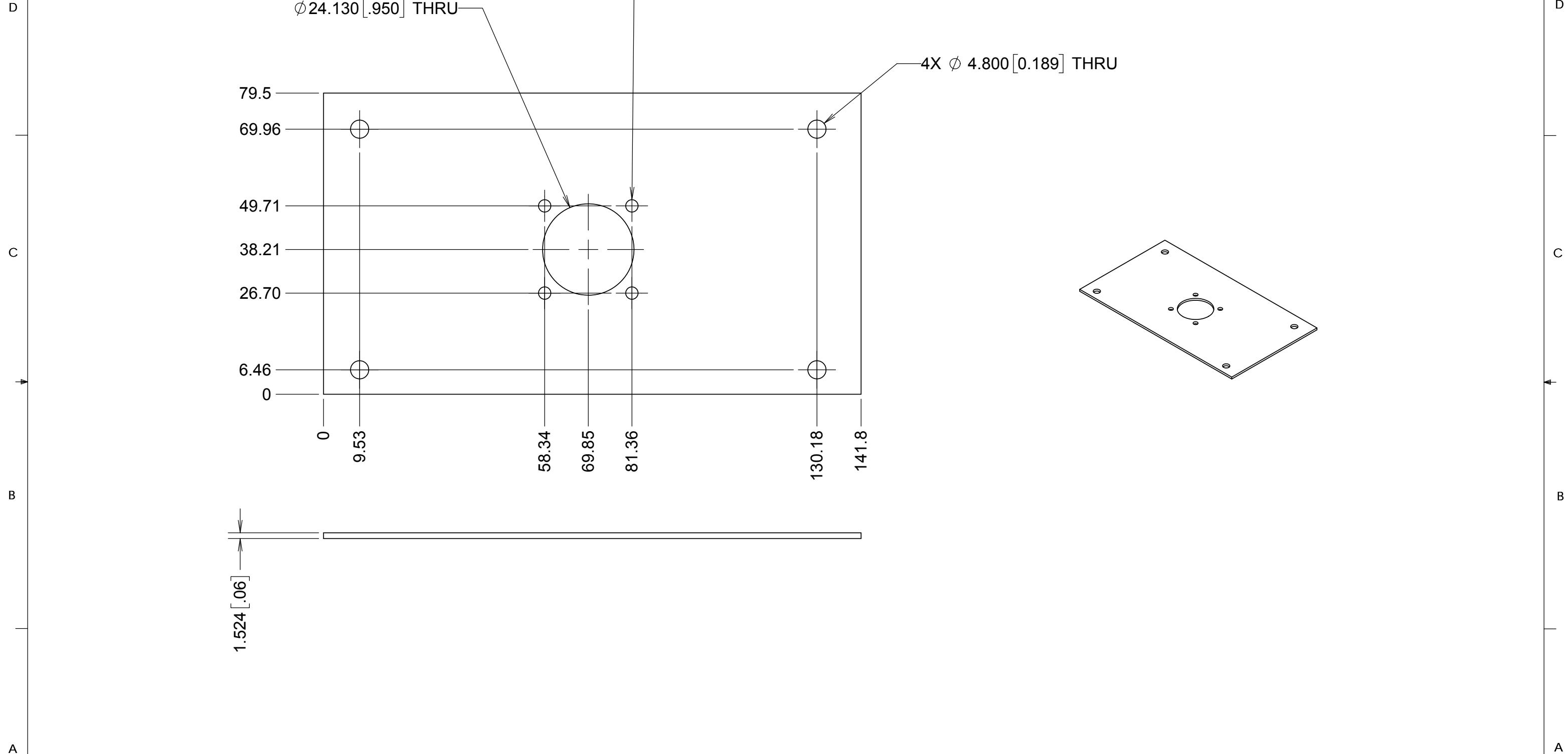


8 7 6 5 4 3 2 1

REVISIONS				
REV	DATE	DRW'N	DESCRIPTION	CHCK'D
A	1/8/2018	CR	INITIAL RELEASE	



**NOTES**

- 1 CAD MODEL FILENAME, 872-LM3192 Electrical Tower Single Connector Panel
- 2 FINISH, PRIMER &: PAINT UCO BEST KNOW METHOD BLACK

UNLESS OTHERWISE NOTED DIMENSIONS ARE IN MILLIMETERS & TOLERANCES ARE AS FOLLOWS:  
 X.X: ±0.10 mm X.XX: ±0.01 mm  
 ANGLES: ±0.5° FINISH: 3 MICRONS (µm)  
 BREAK ALL SHARP EDGES & CORNERS .25mm MAX



MATERIAL: SST 0.060" THICK  
 FINISH: NOTE 2

DRAWN	CR	--	KECK 1 DEPLOYABLE TERTIARY MIRROR	
CHECKED	--	--	OUTER DRUM	
DESIGNED	CR	--	TITLE	
ENGINEER	CR	--	ELECTRICAL TOWER SINGLE CONNECTOR PANEL	
SW DOCUMENT FILE	872-LM3192.SLDPRT	QUANTITY	PROJECT CODE	DWG NO
		1	K1D3FD	872-LM3192
			NEXT ASSY	REV
			--	A

8 7 6 5 4 3 2 1