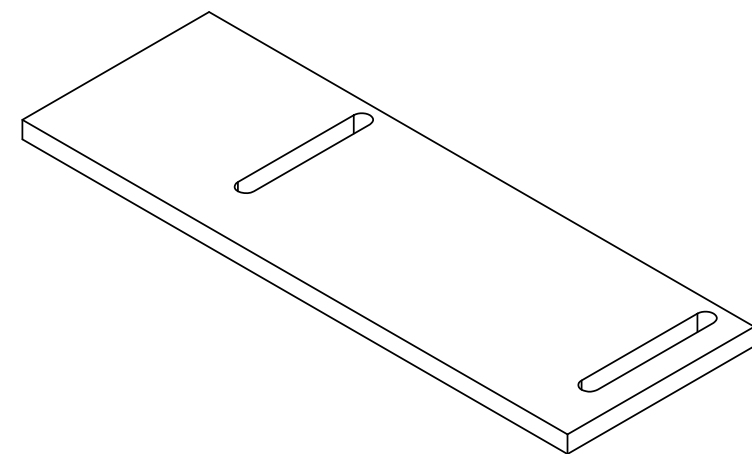
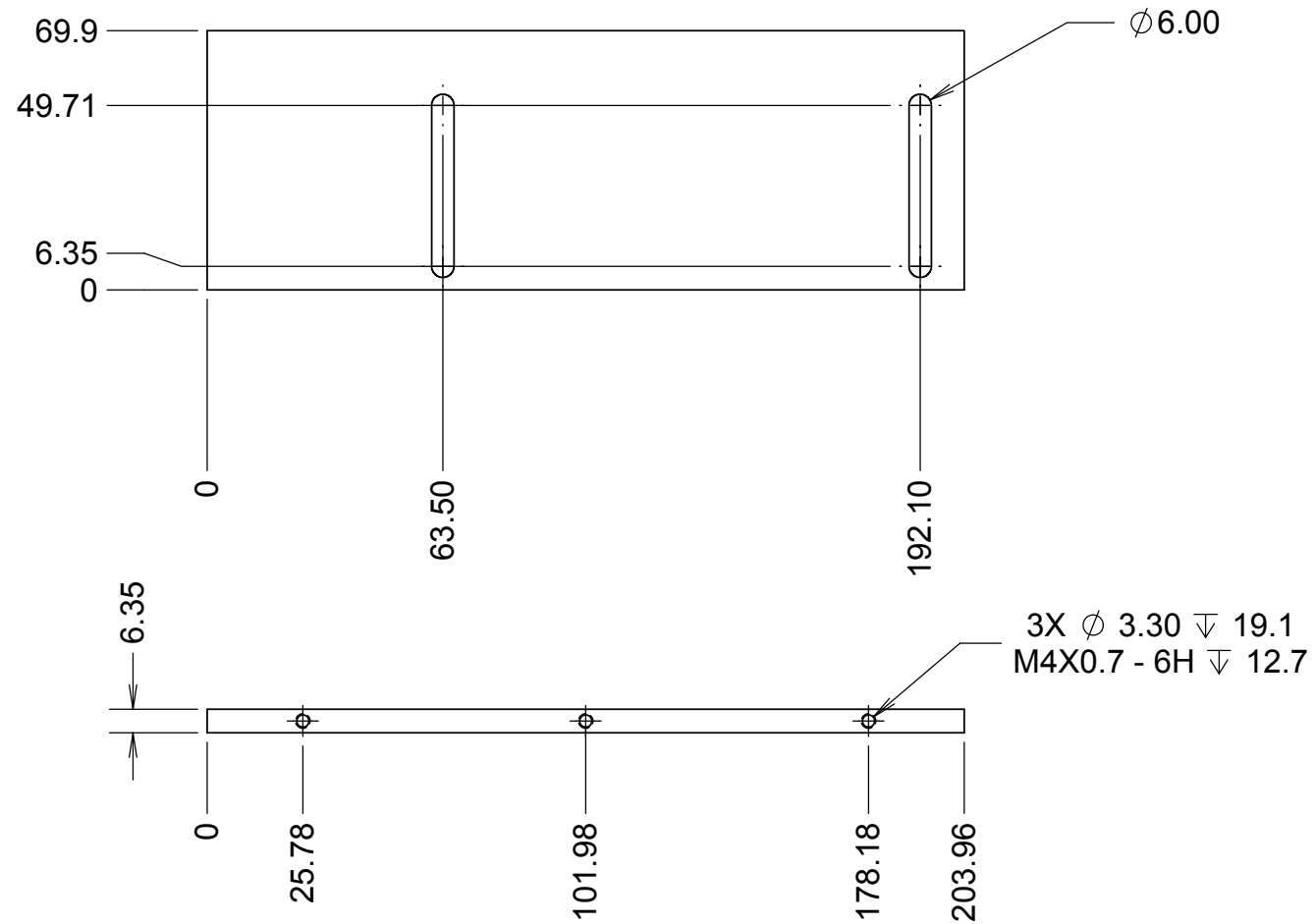


REVISIONS				
REV	DATE	DRW'N	DESCRIPTION	CHCK'D
A	1/17/2018	CR	INITIAL RELEASE	



NOTES

- 1 CAD MODEL FILENAME, 872-LM3194 Hall Effect L-Bracket for K1DM3
- 2 FINISH, PRIMER &: PAINT UCO BEST KNOWN METHOD, BLACK
3. MATERIAL: STEEL ASTM 36 OR EQUIVALENT

UNLESS OTHERWISE NOTED DIMENSIONS ARE IN MILLIMETERS & TOLERANCES ARE AS FOLLOWS:
 X.X: ± 0.10 mm X.XX: ± 0.01 mm
 ANGLES: $\pm 0.5^\circ$ FINISH: 3 MICRONS (μm)
 BREAK ALL SHARP EDGES & CORNERS .25mm MAX



MATERIAL	FINISH
SEE NOTE 3	NOTE 2

DRAWN	CR	--	KECK 1 DEPLOYABLE TERTIARY MIRROR	
CHECKED	--	--	OUTER DRUM	
DESIGNED	CR	--	TITLE	
ENGINEER	CR	--	HALL EFFECT L-BRACKET	
SW DOCUMENT FILE	872-LM3194.SLDPRT	QUANTITY	1	PROJECT CODE
				K1D3FD
				DWG NO
				872-LM3194
				REV
				A
				1