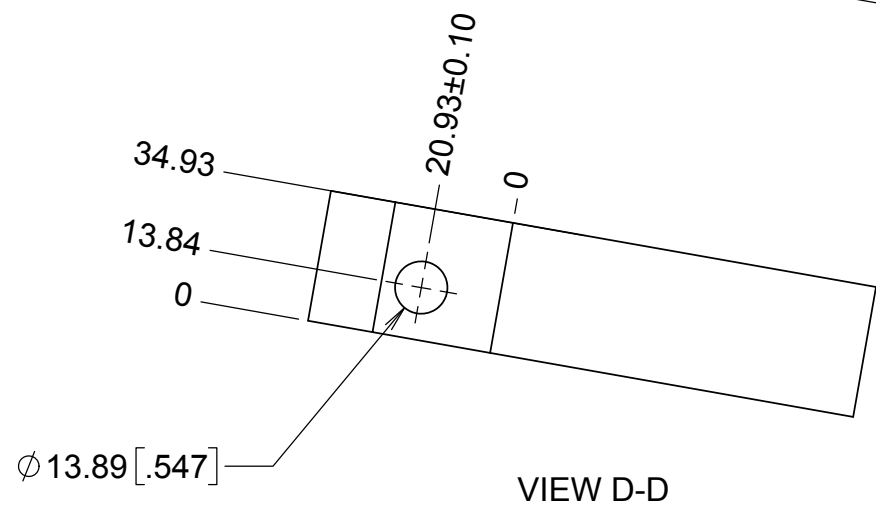
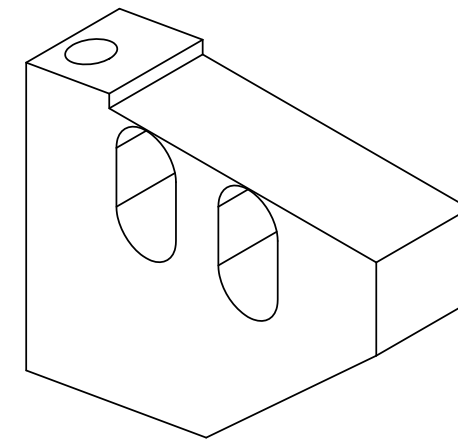
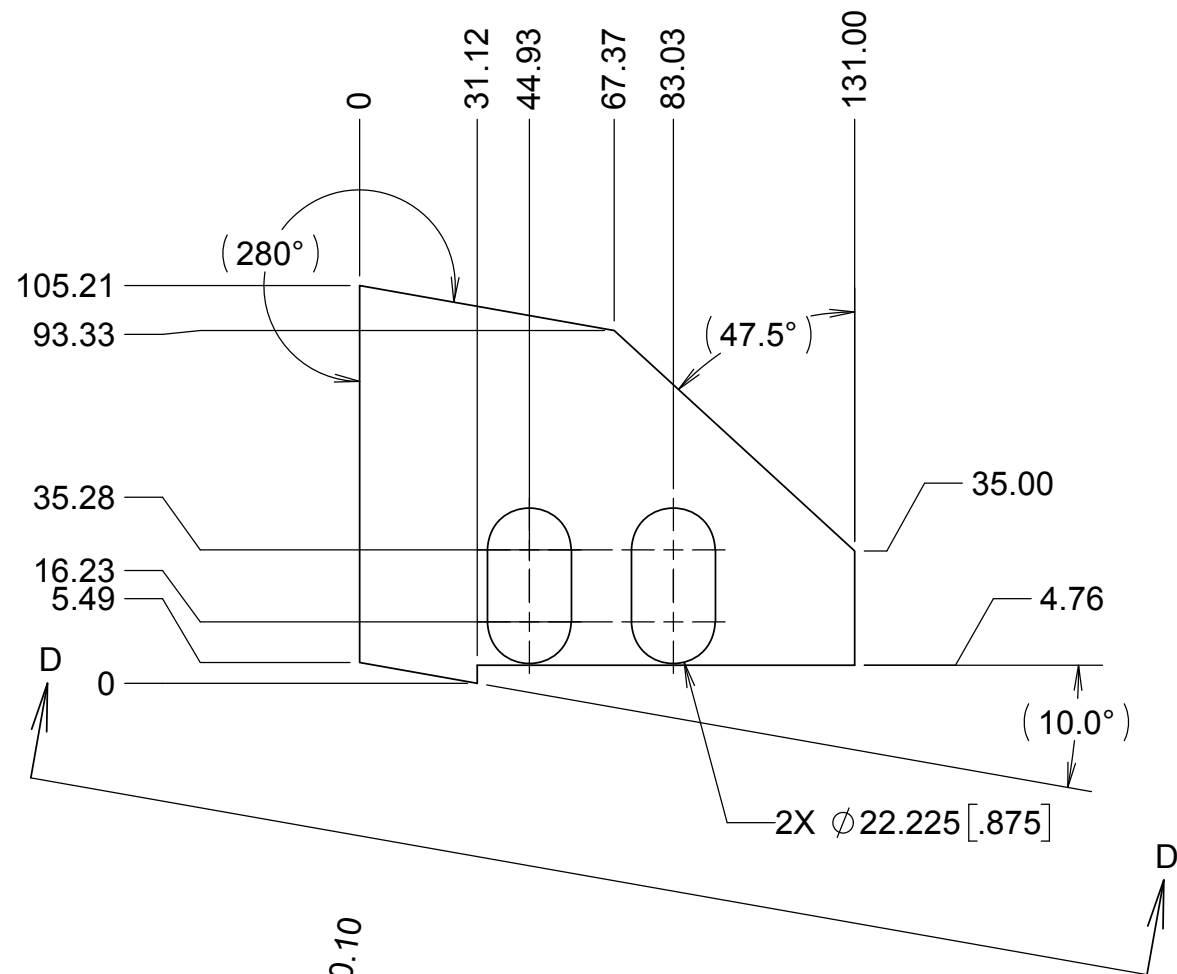


| REVISIONS | | | | |
|-----------|-----------|-------|-----------------|--------|
| REV | DATE | DRW'N | DESCRIPTION | CHCK'D |
| A | 1/17/2018 | CR | INITIAL RELEASE | |



NOTES

- 1 CAD MODEL FILENAME, 872-LM3197 Tower Pin Receptacle
- 2 FINISH, PRIMER &: PAINT UCO BEST KNOWN METHOD, BLACK
3. MATERIAL: 6061T6 ALUMINUM OR SIMILAR

UNLESS OTHERWISE NOTED DIMENSIONS ARE IN MILLIMETERS & TOLERANCES ARE AS FOLLOWS:
 X.X: ±0.10 mm X.XX: ±0.01 mm
 ANGLES: ±0.5° FINISH: 3 MICRONS (µm)
 BREAK ALL SHARP EDGES & CORNERS .25mm MAX



| | |
|------------|--------|
| MATERIAL | FINISH |
| SEE NOTE 3 | NOTE 2 |

| | | | | |
|--------------------|----------|--------------|-----------------------------------|-----|
| DRAWN | CR | -- | KECK 1 DEPLOYABLE TERTIARY MIRROR | |
| CHECKED | -- | -- | OUTER DRUM | |
| DESIGNED | CR | -- | TITLE | |
| ENGINEER | CR | -- | TOWER PIN RECEPTACLE | |
| SW DOCUMENT FILE | QUANTITY | PROJECT CODE | DWG NO | REV |
| 872-LM3197.SLDPRPT | 1 | K1D3FD | 872-LM3197 | A |
| | | NEXT ASSY | | 1 |